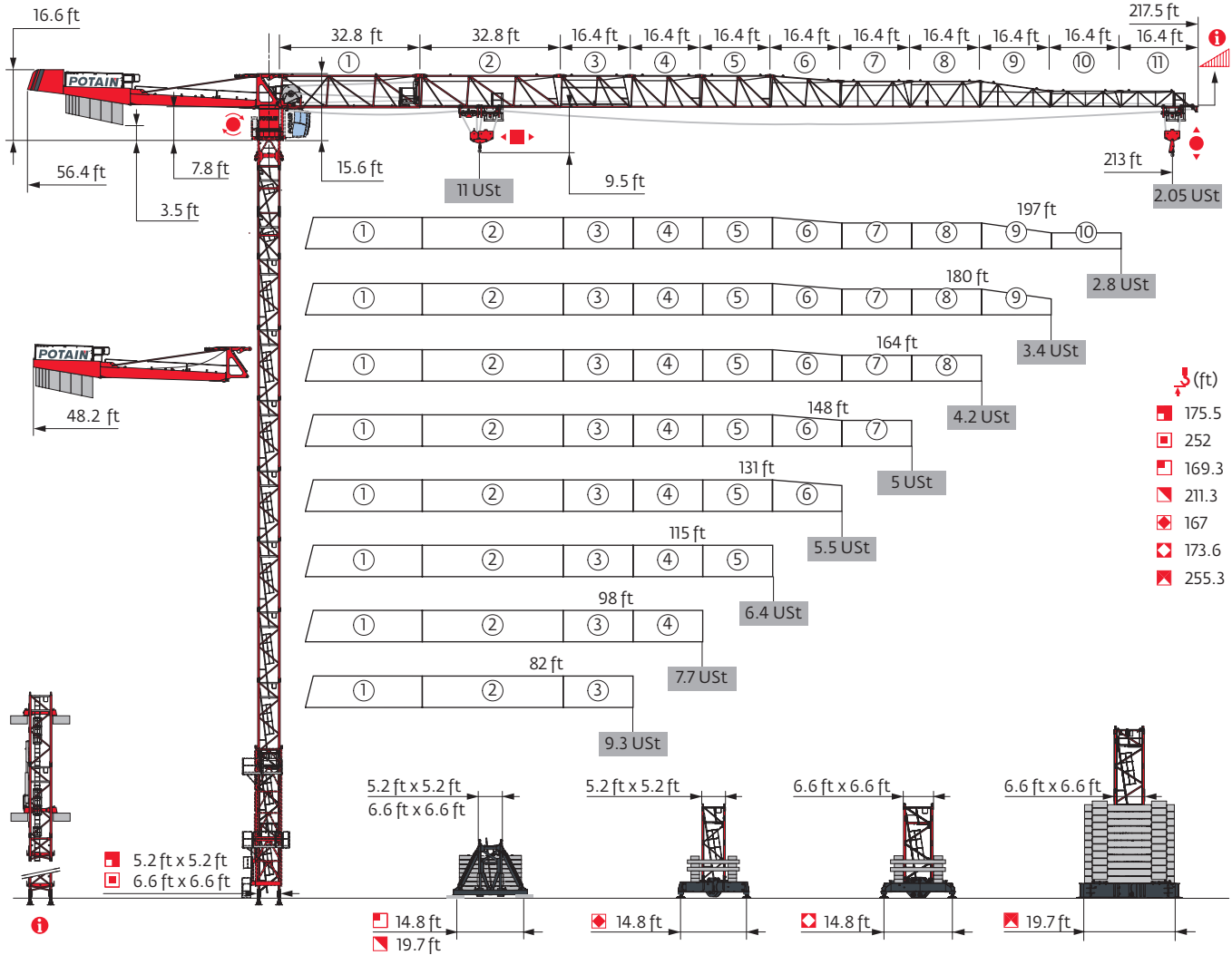


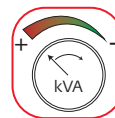
MDT 219 J10



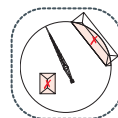
Potain Plus



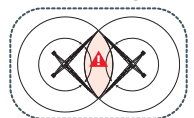
Power Control



Top Site



Top Tracing 3



Mast - Reactions

5.2 ft City - ZD 4230

Height (ft)	82	98	115	131	148	164	180	197	213
Height (ft)	150.6	150.6	155.8	150.6	150.6	150.6	145	145	145
Height/P ₊ (ft)	150.6	150.6	155.8	150.6	150.6	150.6	145	145	145
6.6 ft	0	0	2	0	0	0	1	1	1
10.9 ft	9	9	8	9	9	9	8	8	8
16.4 ft	9	9	8	9	9	9	8	8	8
FI (Ust)	● 78	79	81	79	81	82	82	83	84
	■ 71	71	77	72	75	76	75	78	81

5.2 ft City - ZD 463

Height (ft)	82	98	115	131	148	164	180	197	213
Height (ft)	167	167	167	161.4	161.4	155.8	150.6	155.8	155.8
Height/P ₊ (ft)	167	167	167	161.4	161.4	155.8	150.6	155.8	155.8
6.6 ft	0	0	0	1	1	2	0	2	2
10.9 ft	10	10	10	9	9	8	9	8	8
16.4 ft	10	10	10	9	9	8	9	8	8
FI (Ust)	● 85	86	86	85	87	85	85	89	90
	■ 84	84	85	82	85	82	80	88	93

5.2 ft - P 42A

Height (ft)	82	98	115	131	148	164	180	197	213
Height (ft)	175.5	170	170	170	164.4	164.4	159.1	159.1	159.1
Height/P ₊ (ft)	175.5	170	170	170	164.4	164.4	159.1	159.1	159.1
6.6 ft	1	1	1	1	1	1	1	1	1
10.9 ft	2	0	0	0	1	1	2	2	2
16.4 ft	7	8	8	8	7	7	6	6	6
32.8 ft	1	1	1	1	1	1	1	1	1
F2 (Ust)	● 153	149	150	152	151	153	154	156	157
	■ 206	190	193	196	189	191	188	196	204
F3 (Ust)	● 114	109	109	110	109	110	111	112	114
	■ 172	155	158	159	152	153	151	158	166

5.2 ft - S 41A

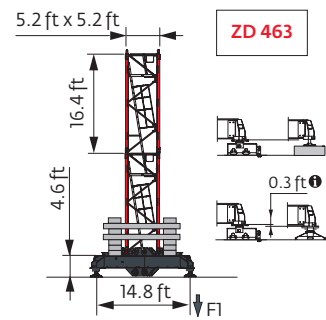
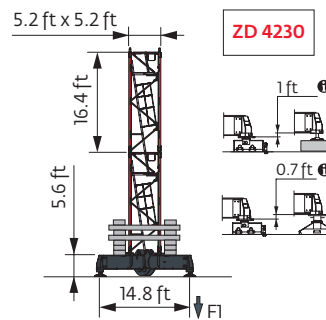
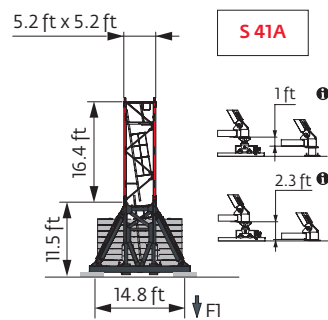
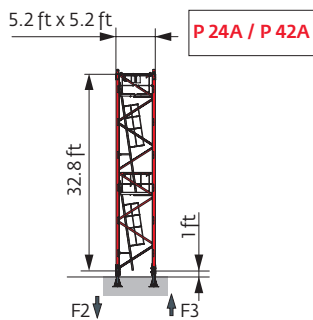
Height (ft)	82	98	115	131	148	164	180	197	213
Height (ft)	169.3	164	164	164	158.5	158.5	152.9	152.9	152.9
Height/P ₊ (ft)	169.3	164	164	164	158.5	158.5	152.9	152.9	152.9
6.6 ft	1	1	1	1	1	1	1	1	1
10.9 ft	2	0	0	0	1	1	2	2	2
16.4 ft	8	9	9	9	8	8	7	7	7
FI (Ust)	● 90	87	88	89	89	90	90	90	91
	■ 100	90	92	93	89	90	90	94	99

5.2 ft - ZD 4230

Height (ft)	82	98	115	131	148	164	180	197	213
Height (ft)	146	146	146	146	146	146	140.8	140.8	140.8
Height/P ₊ (ft)	146	146	146	146	146	146	140.8	140.8	140.8
6.6 ft	1	1	1	1	1	1	1	1	1
10.9 ft	2	2	2	2	2	2	0	0	0
16.4 ft	7	7	7	7	7	7	8	8	8
FI (Ust)	● 79	80	81	81	82	83	83	83	84
	■ 75	75	76	77	78	79	77	80	84

5.2 ft - ZD 463

Height (ft)	82	98	115	131	148	164	180	197	213
Height (ft)	162.4	162.4	157.2	157.2	157.2	151.6	146	146	146
Height/P ₊ (ft)	162.4	162.4	157.2	157.2	157.2	151.6	146	146	146
6.6 ft	1	1	1	1	1	1	1	1	1
10.9 ft	2	2	0	0	0	1	2	2	2
16.4 ft	8	8	9	9	9	8	7	7	7
FI (Ust)	● 87	88	84	86	87	85	86	86	87
	■ 92	91	84	86	87	84	83	87	92



6.6 ft - P 63A

Height (ft)	82	98	115	131	148	164	180	197	213
Height (ft)	252	252	252	252	252	252	246.4	246.4	241.1
Height/P _z (ft)	252	252	252	252	252	252	246.4	246.4	241.1
6.6 ft	1	1	1	1	1	1	1	1	1
10.9 ft	0	0	0	0	0	0	1	1	2
16.4 ft	13	13	13	13	13	13	12	12	11
32.8 ft	1	1	1	1	1	1	1	1	1
F2 (USt)	● 193	194	194	197	200	202	203	204	201
	■ 389	389	392	394	397	399	390	397	389
F3 (USt)	● 141	140	140	142	144	146	146	148	145
	■ 343	342	344	345	347	348	340	346	338

6.6 ft - V 60A

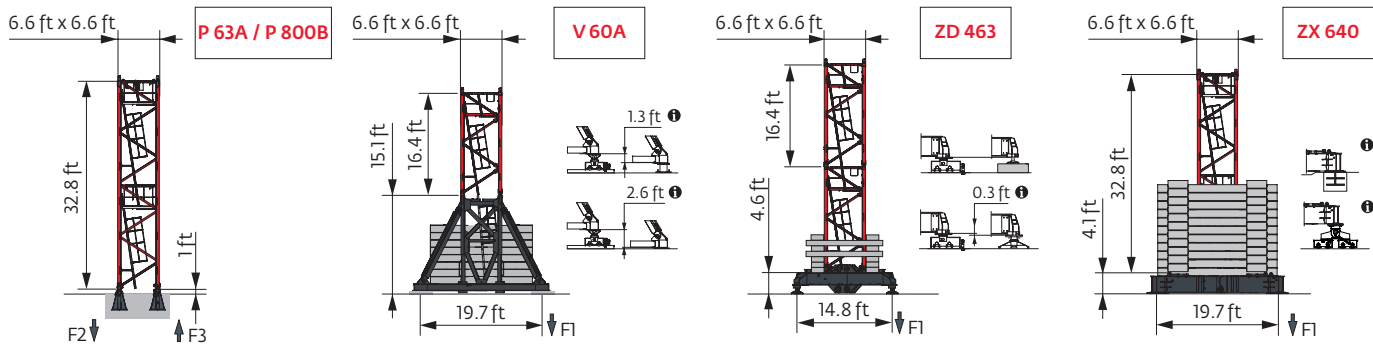
Height (ft)	82	98	115	131	148	164	180	197	213
Height (ft)	211.3	211.3	211.3	211.3	211.3	211.3	206	206	200.5
Height/P _z (ft)	211.3	211.3	211.3	211.3	211.3	211.3	206	206	200.5
6.6 ft	1	1	1	1	1	1	1	1	1
10.9 ft	1	1	1	1	1	1	2	2	0
16.4 ft	11	11	11	11	11	11	10	10	11
F1 (USt)	● 102	102	103	104	105	106	106	106	105
	■ 144	144	145	146	147	148	145	149	144

6.6 ft - ZD 463

Height (ft)	82	98	115	131	148	164	180	197	213
Height (ft)	173.6	173.6	173.6	173.6	173.6	173.6	168	162.4	162.4
Height/P _z (ft)	173.6	173.6	173.6	173.6	173.6	173.6	168	162.4	162.4
6.6 ft	1	1	1	1	1	1	1	1	1
10.9 ft	0	0	0	0	0	0	1	2	2
16.4 ft	10	10	10	10	10	10	9	8	8
F1 (USt)	● 103	102	102	103	104	105	104	103	105
	■ 132	130	132	133	135	136	132	130	135

6.6 ft - ZX 640

Height (ft)	82	98	115	131	148	164	180	197	213
Height (ft)	255.3	255.3	255.3	255.3	255.3	255.3	249.7	249.7	244.1
Height/P _z (ft)	255.3	255.3	255.3	255.3	255.3	255.3	249.7	249.7	244.1
6.6 ft	1	1	1	1	1	1	1	1	1
10.9 ft	0	0	0	0	0	0	1	1	2
16.4 ft	13	13	13	13	13	13	12	12	11
32.8 ft	1	1	1	1	1	1	1	1	1
F1 (USt)	● 137	138	141	142	143	144	142	145	141
	■ 210	210	211	213	214	215	210	214	210



Note: When "ASCE" is noted in this data sheet it is referring to 115 mph Wind Zone, Exposure B, Design Wind Speed = 98 mph. See back cover for design wind speed calculations.

i Motorized accesses: adapted mast compositions, base ballast and reactions.

Other mast compositions - Please consult us

Anchorage

i

Base ballast

USt / 5.2 ft City - ZD 4230

Δ (ft)	82	98	115	131	148	164	180	197	213
155.8	93.7								
150.6	93.7	93.7	88.2	88.2	93.7	93.7			
145	88.2	88.2	82.7	88.2	88.2	88.2	93.7	93.7	93.7
128.6	77.2	77.2	77.2	77.2	77.2	77.2	77.2	77.2	71.7
112.2	71.7	71.7	71.7	71.7	71.7	66.1	66.1	66.1	66.1
95.8	71.7	71.7	71.7	71.7	71.7	66.1	66.1	60.6	60.6
79.4	71.7	71.7	71.7	71.7	71.7	66.1	66.1	60.6	60.6
63	71.7	71.7	71.7	71.7	71.7	66.1	66.1	60.6	60.6

USt / 5.2 ft - S 41A

Δ (ft)	82	98	115	131	148	164	180	197	213
169.3	112.4								
164	105.8	105.8	105.8	105.8					
158.5	105.8	105.8	99.2	105.8	105.8	105.8			
152.9	99.2	99.2	99.2	99.2	99.2	99.2	105.8	105.8	105.8
136.5	86	86	86	86	86	86	86	86	86
120.1	72.8	72.8	72.8	72.8	72.8	72.8	72.8	72.8	72.8
103.7	66.1	66.1	66.1	66.1	66.1	66.1	59.5	59.5	66.1
87.3	66.1	66.1	66.1	66.1	66.1	59.5	59.5	59.5	59.5
70.9	66.1	66.1	66.1	66.1	66.1	59.5	59.5	59.5	59.5

USt / 5.2 ft - ZD 463

Δ (ft)	82	98	115	131	148	164	180	197	213
162.4	104.7								
157.2	99.2	99.2	93.7	99.2	99.2				
151.6	93.7	93.7	93.7	93.7	93.7	93.7			
146	88.2	88.2	88.2	88.2	88.2	88.2	93.7	93.7	93.7
129.6	77.2	77.2	77.2	77.2	71.7	77.2	77.2	77.2	77.2
113.2	66.1	66.1	66.1	66.1	66.1	66.1	66.1	66.1	66.1
97.1	66.1	66.1	66.1	66.1	66.1	66.1	66.1	66.1	66.1
80.7	66.1	66.1	66.1	66.1	66.1	66.1	66.1	66.1	66.1
64.3	66.1	66.1	66.1	66.1	66.1	66.1	66.1	66.1	66.1

USt / 6.6 ft - ZD 463

Δ (ft)	82	98	115	131	148	164	180	197	213
173.6	137.8	132.3	132.3	132.3	132.3	132.3			
168	121.3	121.3	121.3	121.3	121.3	121.3	126.8		
162.4	110.2	110.2	110.2	110.2	110.2	110.2	115.7	126.8	132.3
146	93.7	93.7	88.2	93.7	93.7	93.7	99.2	99.2	99.2
129.6	77.2	77.2	77.2	77.2	77.2	77.2	77.2	77.2	77.2
113.2	66.1	66.1	66.1	66.1	66.1	60.6	60.6	60.6	60.6
97.1	66.1	66.1	66.1	66.1	66.1	60.6	55.1	55.1	55.1
80.7	66.1	66.1	66.1	66.1	66.1	60.6	55.1	55.1	55.1
64.3	66.1	66.1	66.1	66.1	66.1	60.6	55.1	55.1	55.1

USt / 5.2 ft City - ZD 463

Δ (ft)	82	98	115	131	148	164	180	197	213
167	99.2	99.2	99.2						
161.4	93.7	93.7	93.7	93.7	99.2				
155.8	93.7	93.7	88.2	93.7	93.7	93.7		99.2	99.2
150.6	88.2	88.2	82.7	88.2	88.2	88.2	93.7	93.7	93.7
134.2	77.2	77.2	77.2	77.2	71.7	71.7	77.2	77.2	71.7
117.8	71.7	71.7	66.1	66.1	66.1	66.1	60.6	60.6	60.6
101.4 ↓	71.7	71.7	66.1	66.1	66.1	60.6	60.6	60.6	55.1
52.2	71.7	71.7	66.1	66.1	66.1	60.6	60.6	60.6	55.1

USt / 5.2 ft - ZD 4230

Δ (ft)	82	98	115	131	148	164	180	197	213
146	93.7	93.7	93.7	93.7	93.7	93.7			
140.8	88.2	88.2	88.2	88.2	88.2	88.2	93.7	93.7	93.7
124.3	77.2	77.2	77.2	77.2	77.2	77.2	77.2	77.2	77.2
107.9	71.7	71.7	71.7	71.7	66.1	66.1	66.1	66.1	66.1
91.5	71.7	71.7	71.7	71.7	66.1	66.1	60.6	60.6	66.1
75.1	71.7	71.7	71.7	71.7	66.1	66.1	60.6	60.6	60.6
58.7	71.7	71.7	71.7	71.7	66.1	66.1	60.6	60.6	60.6

USt / 6.6 ft - V 60A

Δ (ft)	82	98	115	131	148	164	180	197	213
211.3	145.5	145.5	145.5	145.5	145.5	145.5			
206	145.5	145.5	145.5	145.5	145.5	145.5	145.5	145.5	
200.5	132.3	132.3	132.3	132.3	132.3	132.3	132.3	132.3	145.5
184.1	105.8	92.6	105.8	105.8	105.8	92.6	105.8	105.8	119.1
167.7	79.4	66.1	66.1	66.1	66.1	66.1	79.4	79.4	92.6
151.3	66.1	66.1	52.9	52.9	52.9	52.9	66.1	66.1	66.1
134.8	52.9	52.9	52.9	52.9	52.9	52.9	52.9	52.9	52.9
118.4	39.7	39.7	39.7	39.7	39.7	39.7	39.7	39.7	39.7
102 ↓	39.7	39.7	39.7	39.7	39.7	26.5	26.5	26.5	39.7
52.8	39.7	39.7	39.7	39.7	39.7	26.5	26.5	26.5	39.7

USt / 6.6 ft - ZX 640

Δ (ft)	82	98	115	131	148	164	180	197	213
255.3	220.5	220.5	231.5	231.5	231.5	231.5			
249.7	209.4	209.4	220.5	220.5	220.5	220.5	220.5	231.5	
244.1	198.4	198.4	198.4	209.4	209.4	209.4	209.4	220.5	220.5
227.7	165.4	165.4	165.4	165.4	165.4	165.4	165.4	176.4	187.4
211.3	132.3	132.3	132.3	132.3	132.3	132.3	132.3	143.3	143.3
194.9	99.2	99.2	99.2	99.2	99.2	99.2	99.2	110.2	110.2
178.5	77.2	77.2	77.2	77.2	77.2	77.2	77.2	77.2	88.2
162.1	55.1	55.1	55.1	55.1	55.1	55.1	66.1	66.1	66.1
145.7	44.1	44.1	44.1	44.1	44.1	44.1	44.1	44.1	44.1
129.3	33.1	33.1	33.1	33.1	33.1	33.1	33.1	33.1	33.1
112.9 ↓	22.1	22.1	22.1	22.1	22.1	22.1	22.1	22.1	22.1
63.7	22.1	22.1	22.1	22.1	22.1	22.1	22.1	22.1	22.1

Load curves



▲▲▲▲ (ft)		56	66	72	82	89	98	105	115	121	131	138	148	154	164	171	180	187	197	203	213	ft
▲▲▲▲	USt	▲▲▲▲										▲▲▲▲										
▲▲▲▲	5.5 USt	▲▲▲▲										▲▲▲▲										
213	10 → 53	10.5	8.8	7.9	6.8	6.2	5.5	5.5	5.1	4.7	4.4	4.1	3.8	3.6	3.3	3.1	2.85	2.65	2.4	2.15	2.05	USt
	10 → 58	11	9.7	8.7	7.5	6.9	6	5.6	5.5	5.1	4.6	4.3	4	3.7	3.5	3.3	3	2.8	2.5	2.3	2.05	USt P+
197	10 → 57	11	9.5	8.6	7.4	6.8	6	5.5	5.5	5.1	4.6	4.3	3.9	3.7	3.4	3.3	3.1	2.95	2.75			USt
	10 → 62	11	10.3	9.2	8	7.2	6.3	5.7	5.5	5.1	4.7	4.4	4	3.8	3.5	3.3	3.1	2.95	2.8			USt P+
180	10 → 62	11	10.4	9.4	8.2	7.5	6.6	6.2	5.5	5.1	4.7	4.3	4.1	3.8	3.5	3.4						USt
	10 → 65	11	11	9.9	8.6	7.9	6.9	6.3	5.6	5.5	5.1	4.8	4.4	4.2	3.9	3.7	3.4					USt P+
164	10 → 66	11	11	10	8.7	8	7.1	6.6	6	5.6	5.5	5.1	4.7	4.4	4.1							USt
	10 → 68	11	11	10.4	9	8.3	7.4	6.8	6.1	5.6	5.5	5.2	4.8	4.5	4.2							USt P+
148	10 → 67	11	11	10.1	8.8	8.1	7.2	6.7	6	5.7	5.5	5.3	4.9									USt
	10 → 69	11	11	10.5	9.1	8.3	7.4	6.9	6.2	5.8	5.5	5.4	5									USt P+
131	10 → 68	11	11	10.3	9	8.3	7.3	6.8	6.2	5.8	5.5											USt
	10 → 69	11	11	10.6	9.2	8.4	7.5	7	6.3	5.9	5.5											USt P+
115	10 → 69	11	11	10.5	9.1	8.4	7.5	6.9	6.3													USt
	10 → 70	11	11	10.7	9.3	8.5	7.6	7	6.4													USt P+
98	10 → 70	11	11	10.7	9.3	8.6	7.6															USt
	10 → 71	11	11	10.8	9.4	8.6	7.7															USt P+
82	10 → 69	11	11	10.6	9.2																	USt
	10 → 70	11	11	10.6	9.2																	USt P+

$W_{10} = W_{10} - 0.53 \text{ USt max.}$



▲▲▲▲ (ft)		56	66	72	82	89	98	105	115	121	131	138	148	154	164	171	180	187	197	203	213	ft
▲▲▲▲	USt	▲▲▲▲										▲▲▲▲										
▲▲▲▲	5.5 USt	▲▲▲▲										▲▲▲▲										
213	8 → 53	10.6	8.9	8	7	6.4	5.6	5.4	4.8	4.5	4.1	3.9	3.6	3.4	3.1	2.95	2.65	2.45	2.2	1.95	1.8	USt
	8 → 58	11	9.8	8.8	7.6	7	6.1	5.7	5.2	4.8	4.4	4.1	3.8	3.5	3.3	3.1	2.8	2.6	2.3	2.1	1.85	USt P+
197	8 → 58	11	9.7	8.7	7.6	6.9	6.1	5.7	5.3	4.9	4.5	4.2	3.9	3.7	3.4	3.2	2.9	2.7	2.55			USt
	8 → 62	11	10.4	9.3	8.1	7.4	6.6	6.1	5.5	5.2	4.8	4.4	4.1	3.8	3.5	3.3	3.1	2.85	2.6			USt P+
180	8 → 63	11	10.5	9.5	8.3	7.6	6.7	6.3	5.7	5.4	5	4.7	4.3	4	3.7	3.5	3.3					USt
	8 → 66	11	11	10	8.7	8	7.1	6.6	5.9	5.5	5.1	4.8	4.4	4.1	3.8	3.6	3.4					USt P+
164	8 → 67	11	11	10.1	8.8	8.1	7.2	6.7	6.1	5.7	5.3	4.9	4.5	4.2	3.9							USt
	8 → 69	11	11	10.5	9.1	8.4	7.4	6.9	6.2	5.7	5.3	5	4.6	4.3	4							USt P+
148	8 → 67	11	11	10.2	8.9	8.2	7.3	6.8	6.1	5.8	5.4	5.1	4.7									USt
	8 → 69	11	11	10.5	9.2	8.4	7.5	7	6.3	5.9	5.5	5.2	4.8									USt P+
131	8 → 69	11	11	10.4	9.1	8.4	7.4	6.9	6.3	5.9	5.5											USt
	8 → 70	11	11	10.6	9.3	8.5	7.6	7	6.4	6	5.5											USt P+
115	8 → 70	11	11	10.6	9.2	8.5	7.6	7	6.4													USt
	8 → 71	11	11	10.7	9.3	8.6	7.6	7.1	6.4													USt P+
98	8 → 71	11	11	10.8	9.4	8.7	7.7															USt
	8 → 71	11	11	10.9	9.5	8.7	7.7															USt P+
82	8 → 70	11	11	10.7	9.3																	USt
	8 → 70	11	11	10.7	9.3																	USt P+

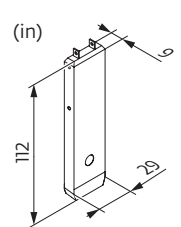
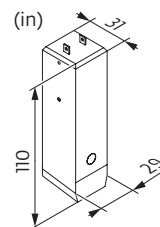
$W_{10} = W_{10} - 0.18 \text{ USt max.}$

Jib weight & counter-jib ballast

▲▲▲▲	▲▲▲▲ (lb) - 50 LVF (+/- 5%)			▲▲▲▲		▲▲▲▲ (lb)
	▲▲▲▲	▲▲▲▲	▲▲▲▲	7,937 lb	2,425 lb	
213 ft	24,403	23,940	24,590	4	4	41,447
197 ft	23,962	23,499	24,149	4	4	41,447
180 ft	23,257	22,860	23,455	4	4	41,447
164 ft	22,595	22,198	22,794	4	4	41,447
148 ft	21,821	21,425	22,020	4	3	39,022
131 ft	20,962	20,565	21,160	4	2	36,597
115 ft	19,903	19,507	20,102	4	1	34,172
98 ft	18,797	18,400	18,995	4	0	31,747
82 ft	17,690	17,293	17,888	3	2	28,660

CAU - 7,937 lb

CAV - 2,425 lb

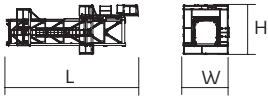

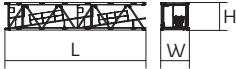

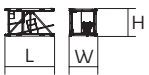
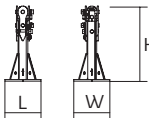
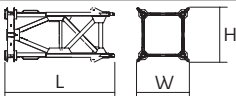
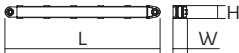
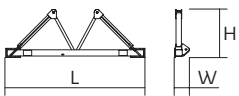
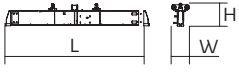
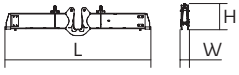

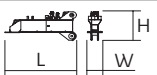

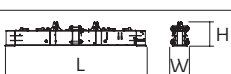


Dimensions and weight

Slewing crane part:  213 ft -  -  -  50 LVF



Slewing crane part		L (ft)	W (ft)	H (ft)	lb (+/- 5%)
Counter-jib		36.7	5	8.3	13,096
Towerhead + cab	 Ultra View □ 5.2 ft □ 6.6 ft	15.4 15.6	7.5 7.5	8.2 8.2	14,749 16,513
Jib section	 ①	35.8	9.6	8.6	9,943
Jib section	 ②	33.7	3.4	7.9	4,156
Jib section	 ③ ④ ⑤ ⑦ ⑧ ⑩	17.2 17 17 17 17 16.9	3.4 3.4 3.4 3.4 3.4 3.4	7.7 7.6 7.6 6.3 6.2 3.9	1,654 1,327 1,327 860 774 529
Jib section	 ⑥ ⑨	17 16.9	3.4 3.4	7.6 6.2	1,058 661
Jib section	 ⑪	16.7	3.4	3.8	441
Hoisting winch (+ rope)	 50 LVF 50 LVF GH	5 5.3	3 4.2	2.8 3.9	2,646 4,101
Trolley	 11 Ust	5.9	4.4	3.2	362
Pulley block	 11 Ust	3.3	1.4	6.6	441
Trolley	 11 Ust	5.4	4.3	3	362
Trolley	 11 Ust 5.5 Ust	5.2 5.2	4.3 4.2	3 3	353 507
Pulley block	 11 Ust 5.5 Ust	5.4 3.6	0.8 0.5	5.6 4.9	675 695

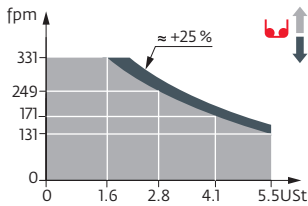
Crane tower		L (ft)	W (ft)	H (ft)	lb (+/- 5%)
Telescopic cage T41 Telescopic cage T61		35.6 35.5	12.3 13.6	13.5 14.7	15,653 21,385
K40/K40-2 K60/K60-2		7.3 7.3	6.9 8.2	6.8 8.1	2,932 4,255
K 447E KM 447E KM 449E K 649B KM 649E KRM 6410B		33.5 33.5 33.5 33.6 33.8 33.6	5.3 5.3 5.3 6.8 6.7 6.9	5.3 5.3 5.3 6.7 6.7 6.8	7,474 7,088 8,830 11,663 10,692 15,653
K 447A KMT 447A K 449A KMT 449A KR 649A KRMT 649A K 649A KMT 649A		17.1 17.1 17.1 17.1 17.2 17.2 17.2 17.2	5.5 5.5 5.5 5.5 6.9 6.9 6.8 6.8	5.3 5.3 5.3 5.3 6.8 6.8 6.7 6.7	4,079 3,847 4,916 4,696 7,165 6,724 6,184 5,666
K 447C KMT 447C K 649C KMT 649C KRMT 649C		11.3 11.6 11.7 11.7 11.7	5.5 5.5 6.8 6.8 6.9	5.3 5.3 6.7 6.7 6.8	2,998 2,976 4,376 4,542 5,401
Fixing angles		1.8 2.5	1.8 2.5	3.8 4.2	529 1,025
Basic mast unit		11.9 16.4	6.4 7.9	6.8 7.9	7,132 10,494
Struts		10.4 14.8	0.9 1	0.8 1	816 1,036
Half-bearer		16.7 22	2 2.3	5.8 7.6	2,315 4,057
Cross girder		21.8	2.7	3.4	4,035
Cross girder		21.8	1.5	4.4	4,707
Cross girder		25.1	3.8	4.5	7,904
1/2 Cross girder		11.2	2.3	4.4	3,649
1/2 Cross girder		14.3	3.3	5.1	7,319
Cross girder		30	3.9	5.1	15,168

Mechanisms

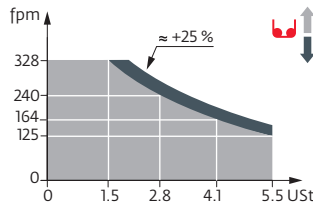
480 V - 60 Hz											hp	kW	
	50 LVF 25 Optima	fpm	131	171	249	331	66	85	125	164	50	37	912 ft
	USt	5.5	4.1	2.8	1.6	11	8.3	5.5	3.3				
	50 LVF 25 GH Optima	fpm	125	164	240	328	62	82	121	164	50	37	1,690 ft
	USt	5.5	4.1	2.8	1.5	11	8.3	5.5	3.2				
	6 DVF 4 Optima	fpm	0 → 262 (11 USt)				0 → 328 (2.2 USt)				5.5	4	
	RVF 162 Optima+	rpm					0 → 0.8				2 x 7.5	2 x 5.5	

480 V (+6% -10%) 60 Hz	50 LVF / 50 LVF GH: 58 → 38 kVA	

50 LVF 25 Optima



50 LVF 25 GH Optima



These mast combinations meet the EN 14439 and ASME B30.3-2016 specifications for "out of service" wind conditions, provided the illustrated wind speed matches required design wind speed for the location of the tower crane. The "out of service" design wind speed was determined in accordance with ASCE 7-10, Figure 26.5-1A. The wind velocity, used for this configuration was 98 mph (158 kph), which represents a nominal design 3-second wind gust at 33 ft (10 m) above ground for Exposure B category. A factor of 0.85 was applied to the 700-year ultimate design wind speed of 115 mph (185 kph), per ASCE 37-02, with the assumption that this crane is considered a temporary structure used during a construction period of 2 years or less.

- Jib elevation
- Standard equipment
- Options
- Potain Plus function: Plus load curves
- Hook heights with Plus load curves
- Reactions in service
- Reactions out of service
- Total ballast weight
- Jib weight
- Lorry 44 ft
- Container High Cube 40 ft, and/or Flat Rack 20 ft
- Hoisting
- Trolleying
- Slewing
- Travelling
- Required power
- Power Control Function: winch speeds adapted to the available power
- Consult us

This commercial document is not legally binding. For any technical information, please refer to the corresponding instructions.

