

Capacity: 30 USt rating

Boom: 69 ft four-section boom

Max tip height main boom: 78 ft

69 ft boom for more utilization ability than traditional tractor mount boom

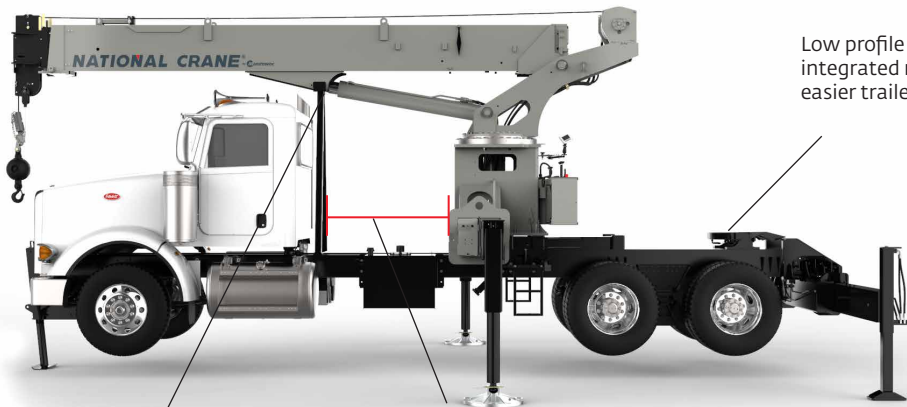
> The **NEXT** evolution of Tractor Mount crane for oil field and taxi crane work.

> **FULL** 360° stability with and without trailer attached for increased utilization.



Fully integrated heavy duty front outrigger for 360 degree operation

Out and down main outriggers and stabilizers for use with full, mid and retracted span chart configurations



Sturdy boom rest placed right behind truck cab to optimize boom support and truck engine serviceability

Nearly 5 ft of available truck frame space for accessory mounting

Low profile fifth wheel with integrated ramps to allow for easier trailer hookup



## Outriggers

- Out and down outriggers and stabilizers
  - Main outrigger span: 20 ft
  - Rear outrigger span: 18.5 ft
- Load charts included for full, mid and retracted spans

## Hoist

- Two-speed high performance planetary winch
- 390 ft (118,9 m), 9/16 in (14 mm) rotation resistant wire rope which has a 7700 lb (3492 kg) single line pull

## Benefits

- Do more jobs with the same machine: 30 USt capacity with 69 ft of boom for more job utilization than a traditional 51 ft tractor mount boom
- Full 360 degree stability with or without a trailer attached for maximized utilization
- Detachable trailer allows for oil field and taxi crane work
- Nearly 5 ft of truck frame space available between crane frame and back of cab boom rest to allow customizations (platform installation, chain rack storage, tool boxes, etc.)
- Sturdy behind cab boom rest mounted to the truck frame for rugged jobsite work and easy serviceability (ILO front bumper mounted boom rest)
- Fixed position fifth wheel to maximize loading distribution on truck and trailer

## Rated Capacity Limiting (RCL) and anti-two block (ATB) systems

- Graphical display capacity limiter and anti-two block system with audio visual warning and crane function lockout
- Real-time color display of boom angle, length, radius, tip height, maximum permissible load, load indication and warning of impending overload condition
- Work Area Definition System (WADS) for operator definable non-lockout warning limits as standard system available
- Real-time J1939 truck diagnostic and monitoring such as engine regen status, fuel level, oil pressure, battery voltage and more



## Options and Lift Solutions

- Wireless radio remote controls
- Custom storage rack for rigging, slings and hook blocks

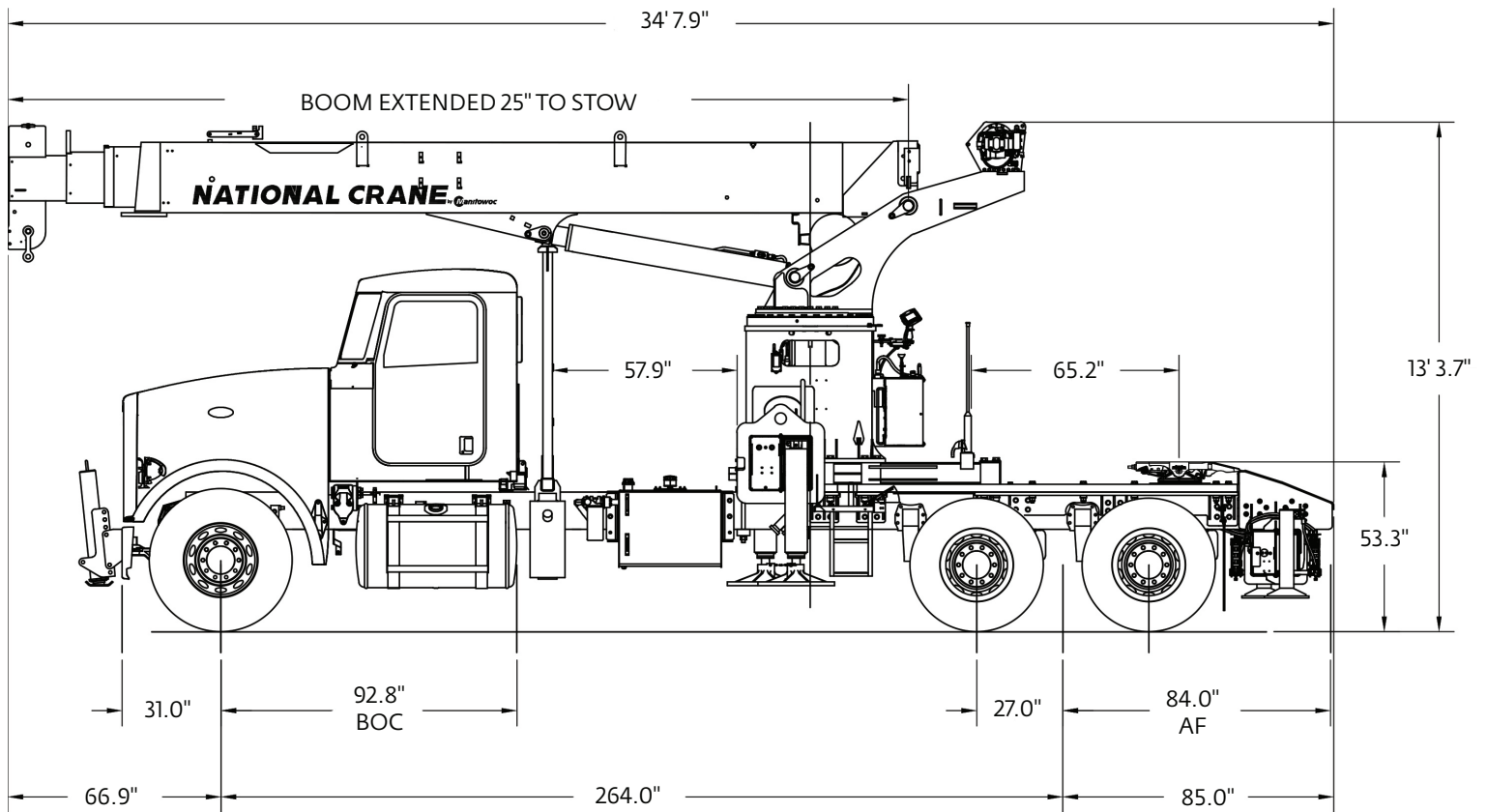


## Exclusive truck customization center

- Custom weight study and truck specification review for optimized machine configuration
- Steel and aluminum tool boxes
- Outrigger cribbing mats and storages



## Recommended Truck



- Peterbilt 367 Set Forward Front Axle (SFFA)
  - 264 in wheelbase
  - 46,000 lb rear axle rating
  - Cummins 12 or 15 liter engine

- Federal Bridge Law (FBL) compliant weights to support this as a taxi crane as well as purpose-built tractor mount



## Load chart



69 ft



100%  
Front: 20 ft  
Rear: 18.5 ft



180°



Pounds

Radius in Feet	Main Boom Length in Feet					
	21	31	41	51	61	69
5	60,000					
8	47,500	33,500	33,400			
10	40,300	33,100	32,300	35,000		
12	34,900	32,700	31,100	30,100	29,000	
15	28,600	27,300	25,900	24,900	24,200	19,350
20		21,200	20,300	19,500	18,850	18,450
25		16,550	16,600	16,000	15,450	15,050
30			13,800	13,500	13,050	12,700
35			10,600	10,750	10,850	10,950
40				8650	8750	8950
45				7200	7300	7350
50					6050	6100
55					5100	5150
60						4350
65						3700
Boom angle	Lifting Capacities at Zero Degree Boom Angle					
0°	15,000	10,000	7000	5000	3800	3620

