

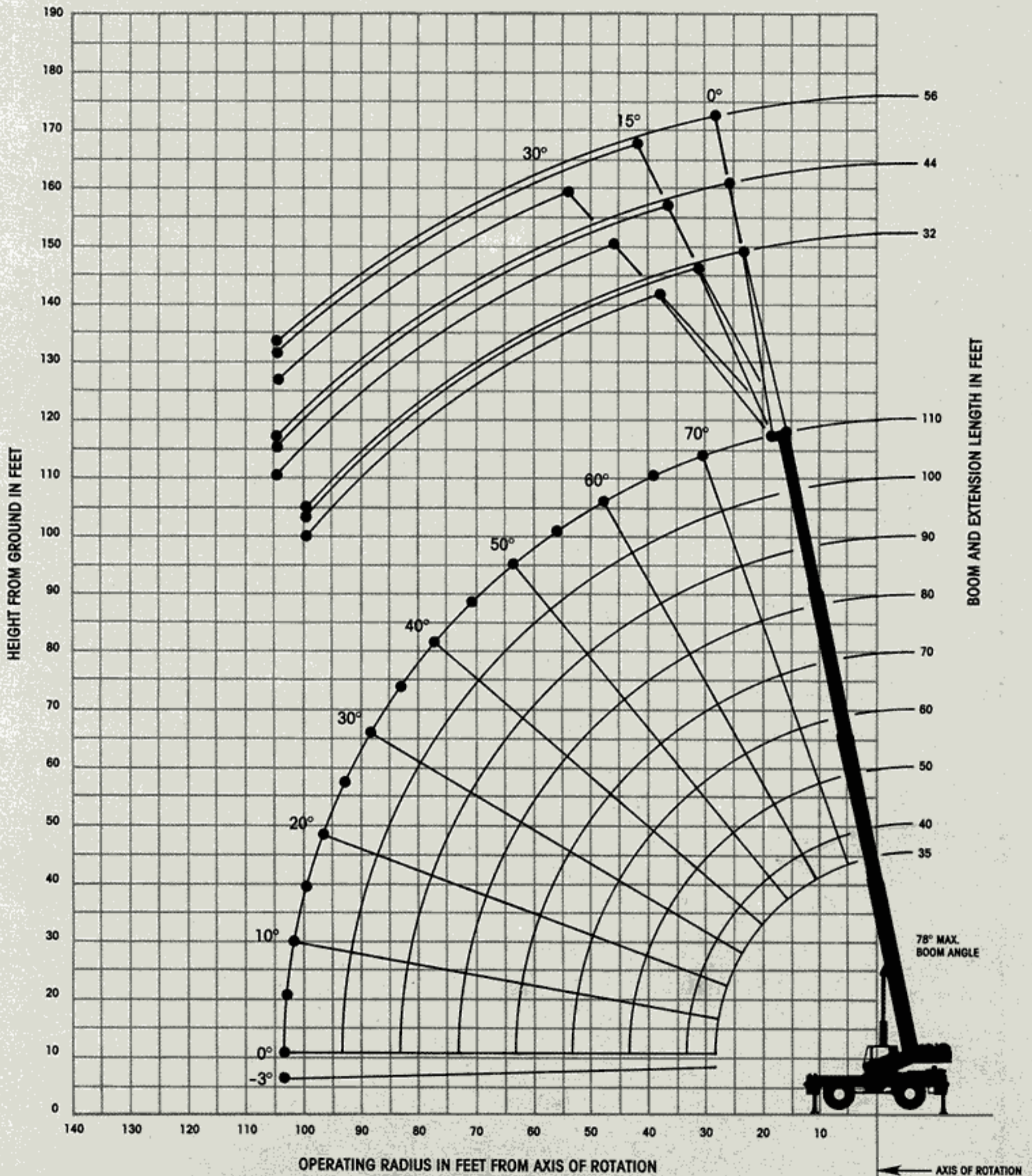


**GROVE**<sup>®</sup>  
worldwide

# RT740B

Rough terrain hydraulic crane  
35 ft. - 110 ft. full power boom

WORKING RANGE DIAGRAM (BOOM DEFLECTION NOT SHOWN)





# NOTES FOR LIFTING CAPACITIES

**WARNING: THIS CHART IS ONLY A GUIDE.** The Notes below are for illustration only and should not be relied upon to operate the crane. The individual crane's load chart, operating instructions and other instruction plates must be read and understood prior to operating the crane.

- All rated loads have been tested to and meet minimum requirements of SAE J1063 OCT80 - Cantilevered Boom Crane Structures - Method of Test, and do not exceed 85% of the tipping load on outriggers (75% of the tipping load on rubber) as determined by SAE J765 OCT 80 Crane Stability Test Code.
- Capacities given do not include the weight of hookblocks, slings, auxiliary lifting equipment and load handling devices. Their weights MUST be added to the load to be lifted. When more than minimum required reeving is used, the additional rope weight shall be considered part of the load.
- Defined Arc  $\pm 6^\circ$  on either side of longitudinal centerline of machine.
- All capacities are for crane on firm, level surface. It may be necessary to have structural supports under the outrigger floats or tires to spread the load to a larger bearing surface.
- When either boom length or radius or both are between values listed, the smallest load shown at either the next larger radius or boom length shall be used.
- For outrigger operation, ALL outriggers shall be fully extended with tires raised free of ground before raising the boom or lifting loads.
- Tires shall be inflated to the recommended pressure before lifting on rubber.
- Unless otherwise stated, capacities are with powered boom sections equally extended.
- Capacities appearing above the bold line are based on structural strength and tipping should not be relied upon as a capacity limitation.
- With boom extension in working position and main boom length greater than 80 ft., boom angle must not be less than  $40^\circ$  since loss of stability will occur causing a tipping condition.

Constant improvement and engineering progress make it necessary that we reserve the right to make specification, equipment, and price changes without notice. Illustrations shown may include optional equipment and accessories and may not include all standard equipment.



**Grove Worldwide - World Headquarters**  
 1565 Buchanan Trail East  
 Shady Grove, Pennsylvania 17256  
 Phone: (717) 597-8121 Telex: 1842308 Fax: (717) 597-4062

**Grove North America**  
 P.O. Box 21, Shady Grove, Pennsylvania 17256  
 Western Hemisphere, Asia/Pacific  
 Phone: (717) 597-8121 Telex: 1842308 Fax: (717) 597-4062

**Grove Europe\***  
 Sunderland, England SR4 6TT  
 Europe, Africa, Middle East, Near East  
 Phone: (091) 565-6281 Telex: 53484 CRANESG FAX: (091) 564-0442  
 \*Grove Europe Limited, Registered in England, Number 1845128, Registered office, Crown Works, Pallion, Sunderland, Tyne & Wear, England SR4 6TT.

## 23.5xR25 MICHELIN TIRES ON RUBBER (STATIONARY DEFINED ARC OVER FRONT)

| Radius in Feet | Main Boom Length in Feet |                  |                  |                  |                  |                  |                 |                 |
|----------------|--------------------------|------------------|------------------|------------------|------------------|------------------|-----------------|-----------------|
|                | 35                       | 40               | 50               | 60               | 70               | 80               | 90              | 100             |
| 10             | 37,300<br>(66)           | 31,100<br>(69.5) | 22,150<br>(74)   |                  |                  |                  |                 |                 |
| 12             | 32,700<br>(62)           | 26,250<br>(66)   | 20,000<br>(71.5) | 18,300<br>(75)   |                  |                  |                 |                 |
| 15             | 27,500<br>(56)           | 23,000<br>(61)   | 18,300<br>(67.5) | 16,950<br>(71.5) |                  |                  |                 |                 |
| 20             | 21,550<br>(44.5)         | 20,750<br>(52)   | 16,950<br>(61)   | 13,500<br>(66.5) | 11,400<br>(70.5) | 10,300<br>(73.5) |                 |                 |
| 25             | 16,950<br>(28.5)         | 16,950<br>(41.5) | 13,600<br>(54)   | 11,300<br>(61)   | 10,250<br>(66)   | 9,250<br>(69.5)  | 8,050<br>(72)   | 6,500<br>(74.5) |
| 30             |                          | 11,850<br>(27)   | 11,400<br>(46)   | 10,000<br>(55)   | 9,300<br>(61)    | 8,500<br>(65.5)  | 7,350<br>(68.5) | 5,900<br>(71.5) |
| 35             |                          |                  | 8,220<br>(36.5)  | 7,910<br>(49)    | 8,430<br>(56)    | 7,800<br>(61.5)  | 6,850<br>(65)   | 5,600<br>(68)   |
| 40             |                          |                  | 5,910<br>(24)    | 5,680<br>(41.5)  | 5,980<br>(50.5)  | 5,980<br>(57)    | 5,980<br>(61.5) | 5,300<br>(65)   |
| 45             |                          |                  |                  | 4,030<br>(33)    | 4,170<br>(45)    | 4,170<br>(52.5)  | 4,170<br>(57.5) | 4,170<br>(61.5) |
| 50             |                          |                  |                  | 2,760<br>(21.5)  | 2,770<br>(38.5)  | 2,770<br>(47.5)  | 2,770<br>(53.5) | 2,770<br>(58.5) |
| 55             |                          |                  |                  |                  | 1,840<br>(31)    | 1,840<br>(42)    | 1,840<br>(49.5) | 1,840<br>(54.5) |
| 60             |                          |                  |                  |                  | 1,290<br>(20)    | 1,290<br>(36)    | 1,290<br>(45)   | 1,290<br>(51)   |

A6-829-0011010

## ON RUBBER (STATIONARY - 360°)

| Radius in Feet | Main Boom Length in Feet |                  |                  |                  |                  |                 |                 |                 |
|----------------|--------------------------|------------------|------------------|------------------|------------------|-----------------|-----------------|-----------------|
|                | 35                       | 40               | 50               | 60               | 70               | 80              | 90              | 100             |
| 10             | 33,000<br>(66)           | 31,100<br>(69.5) | 22,150<br>(74)   |                  |                  |                 |                 |                 |
| 12             | 27,350<br>(62)           | 26,250<br>(66)   | 19,000<br>(71.5) | 18,300<br>(75)   |                  |                 |                 |                 |
| 15             | 21,300<br>(56)           | 21,300<br>(61)   | 16,000<br>(67.5) | 15,500<br>(71.5) |                  |                 |                 |                 |
| 20             | 13,150<br>(44.5)         | 12,750<br>(52)   | 12,400<br>(61)   | 12,400<br>(66.5) | 10,300<br>(70.5) | 6,170<br>(73.5) |                 |                 |
| 25             | 8,630<br>(28.5)          | 8,230<br>(41.5)  | 7,840<br>(54)    | 7,790<br>(61)    | 7,850<br>(66)    | 6,170<br>(69.5) | 4,500<br>(72)   | 2,050<br>(74.5) |
| 30             |                          | 5,410<br>(27)    | 5,000<br>(46)    | 4,870<br>(56)    | 5,410<br>(61)    | 5,200<br>(65.5) | 4,500<br>(68.5) | 2,050<br>(71.5) |
| 35             |                          |                  | 3,100<br>(36.5)  | 2,870<br>(49)    | 3,380<br>(56)    | 3,380<br>(61.5) | 3,120<br>(65)   | 2,050<br>(68)   |
| 40             |                          |                  | 1,650<br>(24)    | 1,430<br>(41.5)  | 1,750<br>(50.5)  | 1,750<br>(57)   | 1,710<br>(61.5) | 1,710<br>(65)   |

A6-829-0011011

## ON RUBBER (PICK & CARRY CAPACITIES UP TO 2.5 MPH)

| Radius in Feet | Main Boom Length in Feet |                  |                  |                  |                  |                  |                 |  |
|----------------|--------------------------|------------------|------------------|------------------|------------------|------------------|-----------------|--|
|                | 35                       | 40               | 50               | 60               | 70               | 80               | 90              |  |
| 10             | 38,000<br>(66)           | 31,450<br>(69.5) |                  |                  |                  |                  |                 |  |
| 12             | 33,150<br>(62)           | 29,000<br>(66)   | 27,750<br>(71.5) |                  |                  |                  |                 |  |
| 15             | 27,300<br>(56)           | 27,300<br>(61)   | 25,000<br>(67.5) | 22,750<br>(71.5) |                  |                  |                 |  |
| 20             | 20,750<br>(44.5)         | 20,750<br>(52)   | 20,450<br>(61)   | 17,300<br>(66.5) | 13,750<br>(70.5) |                  |                 |  |
| 25             | 15,950<br>(28.5)         | 15,850<br>(41.5) | 15,850<br>(54)   | 13,400<br>(61)   | 11,000<br>(66)   | 11,000<br>(69.5) | 10,150<br>(72)  |  |
| 30             |                          | 11,850<br>(27)   | 11,500<br>(46)   | 10,600<br>(55)   | 9,300<br>(61)    | 9,300<br>(65.5)  | 9,300<br>(68.5) |  |
| 35             |                          |                  | 8,220<br>(36.5)  | 7,910<br>(49)    | 8,200<br>(56)    | 8,200<br>(61.5)  | 8,200<br>(65)   |  |
| 40             |                          |                  | 5,910<br>(24)    | 5,680<br>(41.5)  | 5,980<br>(50.5)  | 5,980<br>(57)    | 5,980<br>(61.5) |  |
| 45             |                          |                  |                  | 4,030<br>(33)    | 4,170<br>(45)    | 4,170<br>(52.5)  | 4,170<br>(57.5) |  |
| 50             |                          |                  |                  | 2,760<br>(21.5)  | 2,770<br>(38.5)  | 2,770<br>(47.5)  | 2,770<br>(53.5) |  |
| 55             |                          |                  |                  |                  | 1,840<br>(31)    | 1,840<br>(42)    | 1,840<br>(49.5) |  |
| 60             |                          |                  |                  |                  | 1,290<br>(20)    | 1,290<br>(36)    | 1,290<br>(45)   |  |

NOTE: ( ) Boom angles are in degrees.

A6-829-0011012

## NOTES FOR RUBBER CAPACITIES

|                    | No Load Stability Data                      | Main Boom 110 ft. |
|--------------------|---------------------------------------------|-------------------|
| Front (No load)    | Min. boom angle (deg.) for indicated length | 40                |
|                    | Max. boom length (ft.) at 0 deg. boom angle | 70                |
| 360 Deg. (No load) | Min. boom angle (deg.) for indicated length | 55                |
|                    | Max. boom length (ft.) at 0 deg. boom angle | 50                |



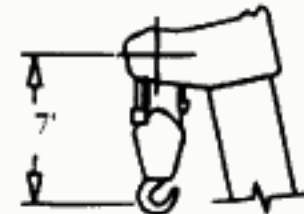
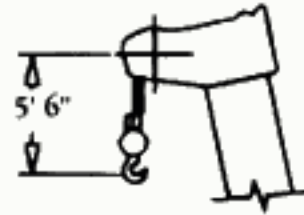
### 32 FT. OFFSETTABLE EXTENSION ON OUTRIGGERS - 360°

| Radius<br>in Feet | 0° OFFSET              |              | 15° OFFSET             |              | 30° OFFSET             |              |
|-------------------|------------------------|--------------|------------------------|--------------|------------------------|--------------|
|                   | Boom<br>Ang.<br>(Deg.) | Cap.<br>lbs. | Boom<br>Ang.<br>(Deg.) | Cap.<br>lbs. | Boom<br>Ang.<br>(Deg.) | Cap.<br>lbs. |
| 30                | 78.0                   | 8,880        |                        |              |                        |              |
| 35                | 75.5                   | 8,480        | 78.0                   | 7,380        |                        |              |
| 40                | 73.5                   | 7,980        | 75.5                   | 6,980        | 78.0                   | 6,180        |
| 45                | 71.5                   | 7,480        | 73.5                   | 6,580        | 76.0                   | 5,850        |
| 50                | 69.0                   | 6,980        | 71.5                   | 6,180        | 73.5                   | 5,340        |
| 55                | 67.0                   | 6,430        | 69.0                   | 5,800        | 71.5                   | 4,980        |
| 60                | 64.5                   | 5,880        | 67.0                   | 5,450        | 69.0                   | 4,780        |
| 65                | 62.0                   | 5,240        | 64.5                   | 5,110        | 67.0                   | 4,620        |
| 70                | 59.5                   | 4,650        | 62.0                   | 4,650        | 64.5                   | 4,470        |
| 75                | 57.0                   | 4,120        | 59.5                   | 4,120        | 62.0                   | 4,120        |
| 80                | 54.5                   | 3,640        | 57.0                   | 3,640        | 59.5                   | 3,640        |
| 85                | 52.0                   | 2,960        | 54.5                   | 2,960        | 57.0                   | 2,960        |
| 90                | 49.0                   | 2,370        | 52.0                   | 2,370        | 54.0                   | 2,370        |
| 95                | 46.5                   | 1,850        | 49.0                   | 1,850        | 51.0                   | 1,850        |
| 100               | 43.5                   | 1,380        | 46.0                   | 1,380        | 48.0                   | 1,380        |

A6-829-008842A

### WEIGHT REDUCTIONS FOR LOAD HANDLING DEVICES

| 32 ft. Extension<br>with 35 ft.- 110 ft. Boom |            |
|-----------------------------------------------|------------|
| *Stowed -                                     | 671 lbs.   |
| *Erected -                                    | 4,149 lbs. |



DIMENSIONS ARE  
FOR LARGEST  
GROVE FURNISHED  
HOOK BLOCK AND  
HEADACHE BALL,  
WITH ANTI-TWO  
BLOCK ACTIVATED.

| 32 ft. - 56 ft. Tele. Ext.<br>with 35 ft.- 110 ft. Boom |            |
|---------------------------------------------------------|------------|
| *Stowed -                                               | 846 lbs.   |
| *Erected (ref.) -                                       | 6,368 lbs. |
| *Erected (ext.) -                                       | 8,287 lbs. |

\*Reduction of main boom capacities

| HOOKBLOCKS:                      |           |
|----------------------------------|-----------|
| 15 Ton, 1 Sheave                 | 380 lbs.  |
| 30 Ton, 2 Sheave                 | 843 lbs.  |
| 40 Ton, 4 Sheave                 | 910 lbs.  |
| 40 Ton, 4 Sheave(w/cheek plates) | 1100 lbs. |
| 45 Ton, 3 Sheave                 | 895 lbs.  |
| 45 Ton, 3 Sheave(w/cheek plates) | 1095 lbs. |
| Auxiliary Boom Nose              | 143 lbs.  |
| 10 Ton Headache Ball             | 560 lbs.  |
| 7 1/2 Ton Headache Ball          | 338 lbs.  |

### 35 FT. - 110 FT. POWER BOOM ON OUTRIGGERS FULLY EXTENDED - 360°

| Radius<br>in Feet                                        | Main Boom Length in Feet |                  |                  |                  |                  |                  |                  |                  |                  |                 |                 |                 |                 |               |
|----------------------------------------------------------|--------------------------|------------------|------------------|------------------|------------------|------------------|------------------|------------------|------------------|-----------------|-----------------|-----------------|-----------------|---------------|
|                                                          | 35                       | 40               | 50               | 60               | 70               | 80               | 90               | 100              | 110              |                 |                 |                 |                 |               |
| 10                                                       | 80,000<br>(66)           | 68,000<br>(69.5) | 58,100<br>(74)   |                  |                  |                  |                  |                  |                  |                 |                 |                 |                 |               |
| 12                                                       | 67,400<br>(62)           | 62,700<br>(66)   | 53,700<br>(71.5) | 44,600<br>(75)   |                  |                  |                  |                  |                  |                 |                 |                 |                 |               |
| 15                                                       | 56,500<br>(56)           | 54,500<br>(61)   | 48,050<br>(67.5) | 41,550<br>(71.5) | 35,600<br>(74.5) | 33,000<br>(77)   |                  |                  |                  |                 |                 |                 |                 |               |
| 20                                                       | 44,000<br>(44.5)         | 43,000<br>(52)   | 39,400<br>(61)   | 33,550<br>(66.5) | 30,500<br>(70.5) | 28,000<br>(73.5) | 25,500<br>(75.5) | 22,150<br>(77.5) |                  |                 |                 |                 |                 |               |
| 25                                                       | 33,500<br>(28.5)         | 33,000<br>(41.5) | 32,400<br>(54)   | 27,750<br>(61)   | 25,200<br>(66)   | 23,800<br>(69.5) | 21,950<br>(72)   | 20,400<br>(74.5) | 18,500<br>(76)   |                 |                 |                 |                 |               |
| 30                                                       |                          | 26,500<br>(27)   | 25,500<br>(46)   | 23,300<br>(55)   | 21,050<br>(61)   | 20,400<br>(65.5) | 19,300<br>(68.5) | 17,550<br>(71.5) | 15,750<br>(73.5) |                 |                 |                 |                 |               |
| 35                                                       |                          |                  | 20,300<br>(36.5) | 20,000<br>(49)   | 17,950<br>(56)   | 17,400<br>(61.5) | 16,400<br>(65)   | 15,050<br>(68)   | 13,650<br>(70.5) |                 |                 |                 |                 |               |
| 40                                                       |                          |                  | 16,000<br>(24)   | 15,850<br>(41.5) | 15,500<br>(50.5) | 15,050<br>(57)   | 14,100<br>(61.5) | 13,100<br>(65)   | 12,000<br>(68)   |                 |                 |                 |                 |               |
| 45                                                       |                          |                  |                  | 12,250<br>(33)   | 13,000<br>(45)   | 13,000<br>(52.5) | 12,300<br>(57.5) | 11,450<br>(61.5) | 10,600<br>(65)   |                 |                 |                 |                 |               |
| 50                                                       |                          |                  |                  |                  | 9,720<br>(21.5)  | 10,350<br>(38.5) | 10,750<br>(47.5) | 10,800<br>(53.5) | 10,000<br>(58.5) | 9,500<br>(62)   |                 |                 |                 |               |
| 55                                                       |                          |                  |                  |                  |                  | 8,300<br>(31)    | 8,770<br>(42)    | 9,170<br>(49.5)  | 8,830<br>(54.5)  | 8,370<br>(58.5) |                 |                 |                 |               |
| 60                                                       |                          |                  |                  |                  |                  |                  | 6,650<br>(20)    | 7,150<br>(36)    | 7,850<br>(45)    | 7,840<br>(51)   | 7,410<br>(55.5) |                 |                 |               |
| 65                                                       |                          |                  |                  |                  |                  |                  |                  | 5,830<br>(29)    | 6,340<br>(40)    | 6,820<br>(47)   | 6,590<br>(52)   |                 |                 |               |
| 70                                                       |                          |                  |                  |                  |                  |                  |                  |                  | 4,740<br>(19)    | 5,100<br>(34)   | 5,590<br>(42.5) | 5,880<br>(48.5) |                 |               |
| 75                                                       |                          |                  |                  |                  |                  |                  |                  |                  |                  | 4,050<br>(27.5) | 4,540<br>(38)   | 4,980<br>(45)   |                 |               |
| 80                                                       |                          |                  |                  |                  |                  |                  |                  |                  |                  |                 | 3,160<br>(18)   | 3,650<br>(32.5) | 4,120<br>(40.5) |               |
| 85                                                       |                          |                  |                  |                  |                  |                  |                  |                  |                  |                 |                 | 2,870<br>(26)   | 3,380<br>(36)   |               |
| 90                                                       |                          |                  |                  |                  |                  |                  |                  |                  |                  |                 |                 |                 | 2,190<br>(17)   | 2,740<br>(31) |
| 95                                                       |                          |                  |                  |                  |                  |                  |                  |                  |                  |                 |                 |                 |                 | 2,170<br>(25) |
| 100                                                      |                          |                  |                  |                  |                  |                  |                  |                  |                  |                 |                 |                 |                 | 1,790<br>(16) |
| Minimum boom angle (deg.) for indicated length (no load) |                          |                  |                  |                  |                  |                  |                  |                  |                  | 0               |                 |                 |                 |               |
| Maximum boom length (ft.) at 0 deg. boom angle (no load) |                          |                  |                  |                  |                  |                  |                  |                  |                  | 110             |                 |                 |                 |               |

Note: ( ) Boom angles are in degrees.

\*60 ft. boom length is with inner-mid extended and outer-mid & fly retracted.

A6-829-008842A

### 32 FT. - 56 FT. TELE OFFSETTABLE EXTENSION (ON OUTRIGGERS - 360°)

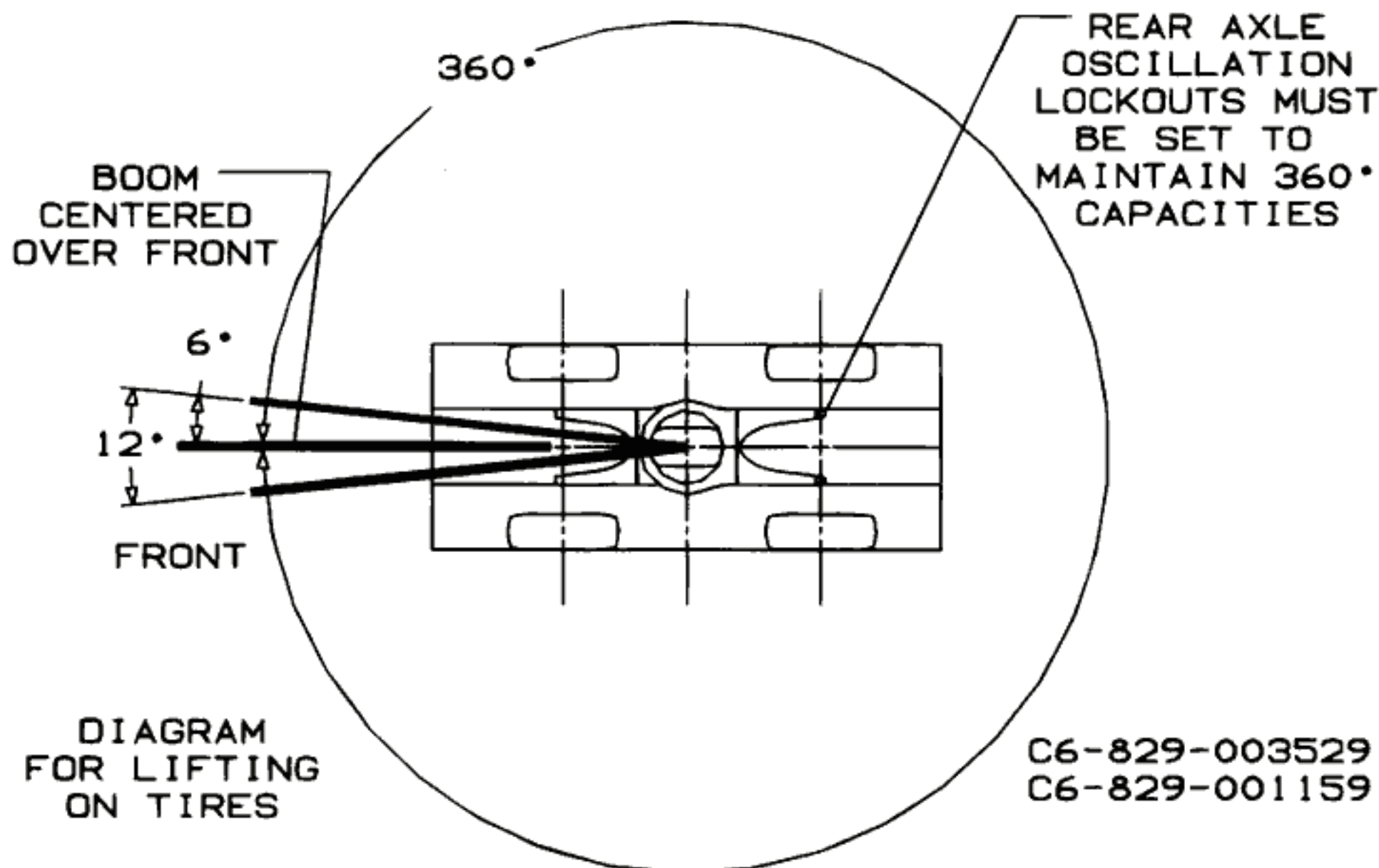
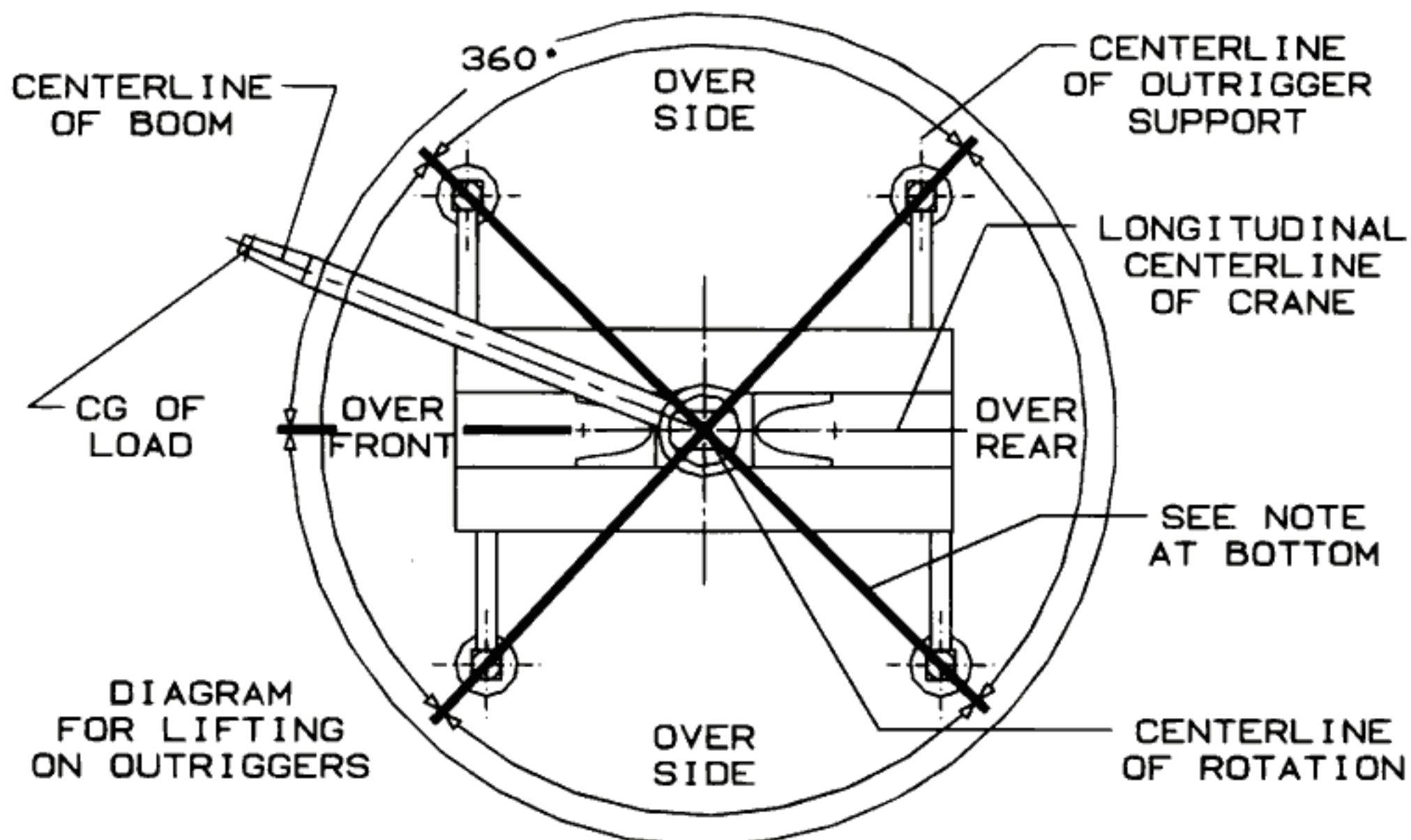
| Radius<br>in Feet | 32 ft. LENGTH                   |              |                                 |              |                                 |              | 44 ft. LENGTH                   |              |                                 |              |                                 |              | 56 ft. LENGTH                   |              |                                 |              |                                 |              |  |
|-------------------|---------------------------------|--------------|---------------------------------|--------------|---------------------------------|--------------|---------------------------------|--------------|---------------------------------|--------------|---------------------------------|--------------|---------------------------------|--------------|---------------------------------|--------------|---------------------------------|--------------|--|
|                   | 0° OFFSET                       |              | 15° OFFSET                      |              | 30° OFFSET                      |              | 0° OFFSET                       |              | 15° OFFSET                      |              | 30° OFFSET                      |              | 0° OFFSET                       |              | 15° OFFSET                      |              | 30° OFFSET                      |              |  |
|                   | Boom<br>Angle<br>Ref.<br>(Deg.) | Cap.<br>lbs. | Boom<br>Angle<br>Ref.<br>(Deg.) | Cap.<br>lbs. | Boom<br>Angle<br>Ref.<br>(Deg.) | Cap.<br>lbs. | Boom<br>Angle<br>Ref.<br>(Deg.) | Cap.<br>lbs. | Boom<br>Angle<br>Ref.<br>(Deg.) | Cap.<br>lbs. | Boom<br>Angle<br>Ref.<br>(Deg.) | Cap.<br>lbs. | Boom<br>Angle<br>Ref.<br>(Deg.) | Cap.<br>lbs. | Boom<br>Angle<br>Ref.<br>(Deg.) | Cap.<br>lbs. | Boom<br>Angle<br>Ref.<br>(Deg.) | Cap.<br>lbs. |  |
| 30                | 78.0                            | 8,500        |                                 |              |                                 |              | 78.0                            | 5,100        |                                 |              |                                 |              |                                 |              |                                 |              |                                 |              |  |
| 35                | 75.5                            | 8,100        | 78.0                            | 7,000        |                                 |              | 76.5                            | 5,060        |                                 |              |                                 |              |                                 |              |                                 |              |                                 |              |  |
| 40                | 73.5                            | 7,600        | 75.5                            | 6,600        | 78.0                            | 5,800        | 74.5                            | 5,000        |                                 |              |                                 |              | 76.5                            | 4,000        |                                 |              |                                 |              |  |
| 45                | 71.5                            | 7,100        | 73.5                            | 6,200        | 76.0                            | 5,470        | 73.0                            | 4,900        | 76.5                            | 4,300        |                                 |              | 74.5                            | 3,920        |                                 |              |                                 |              |  |
| 50                | 69.0                            | 6,600        | 71.5                            | 5,800        | 73.5                            | 4,960        | 71.0                            | 4,750        | 74.5                            | 4,110        | 77.5                            | 3,300        | 73.0                            | 3,840        | 77.0                            | 3,300        |                                 |              |  |
| 55                | 67.0                            | 6,050        | 69.0                            | 5,420        | 71.5                            | 4,600        | 68.5                            | 4,550        | 72.5                            | 3,920        | 75.0                            | 3,200        | 71.0                            | 3,770        | 75.0                            | 3,100        |                                 |              |  |
| 60                | 64.5                            | 5,500        | 67.0                            | 5,070        | 69.0                            | 4,400        | 66.5                            | 4,300        | 70.5                            | 3,750        | 73.0                            | 3,100        | 69.5                            | 3,700        | 73.5                            | 2,920        | 77.5                            | 2,300        |  |
| 65                | 62.0                            | 4,860        | 64.5                            | 4,730        | 67.0                            | 4,240        | 64.5                            | 4,010        | 68.5                            | 3,570        | 71.0                            | 3,000        | 67.5                            | 3,610        | 71.5                            | 2,760        | 75.5                            | 2,200        |  |
| 70                | 59.5                            | 4,270        | 62.0                            | 4,270        | 64.5                            | 4,090        | 62.5                            | 3,710        | 66.5                            | 3,400        | 69.0                            | 2,900        | 65.5                            | 3,500        | 69.5                            | 2,620        | 73.5                            | 2,100        |  |
| 75                | 57.0                            | 3,740        | 59.5                            | 3,740        | 62.0                            | 3,740        | 60.5                            | 3,400        | 64.0                            | 3,200        | 66.5                            | 2,800        | 64.0                            | 3,310        | 68.0                            | 2,500        | 71.5                            | 2,020        |  |
| 80                | 54.5                            | 3,260        | 57.0                            | 3,260        | 59.5                            | 3,260        | 58.0                            | 3,090        | 62.0                            | 3,000        | 64.5                            | 2,700        | 62.0                            | 3,000        | 66.0                            | 2,400        | 69.5                            | 1,950        |  |
| 85                | 52.0                            | 2,580        | 54.5                            | 2,580        | 57.0                            | 2,580        | 56.0                            | 2,790        | 60.0                            | 2,790        | 62.0                            | 2,600        | 60.0                            | 2,510        | 64.0                            | 2,300        | 67.5                            | 1,880        |  |
| 90                | 49.0                            | 1,990        | 52.0                            | 1,990        | 54.0                            | 1,990        | 53.5                            | 2,500        | 57.5                            | 2,500        | 59.5                            | 2,500        | 58.0                            | 2,020        | 61.5                            | 2,020        | 65.5                            | 1,810        |  |
| 95                | 46.5                            | 1,470        | 49.0                            | 1,470        | 51.0                            | 1,470        | 51.0                            | 1,990        | 55.0                            | 1,990        | 57.0                            | 1,990        | 56.0                            | 1,660        | 59.5                            | 1,660        | 63.0                            | 1,660        |  |
| 100               | 43.5                            | 1,000        | 46.0                            | 1,000        | 48.0                            | 1,000        | 48.5                            | 1,520        | 52.5                            | 1,520        | 54.5                            | 1,520        | 53.5                            | 1,230        | 57.5                            | 1,230        | 61.0                            | 1,230        |  |
| 105               |                                 |              |                                 |              |                                 |              | 46.0                            | 1,100        | 50.0                            | 1,100        | 51.5                            | 1,100        | 51.5                            | 850          | 55.0                            | 850          | 58.5                            | 850          |  |

\*This capacity is based upon maximum boom angle.

A6-829-008841



# WORKING AREA DIAGRAM



C6-829-003529  
C6-829-001159

BOLD LINES DETERMINE THE LIMITING POSITION OF ANY LOAD FOR OPERATION WITHIN WORKING AREAS INDICATED

# ZERO DEGREE BOOM ANGLE CHARTS

## ON OUTRIGGERS - 360 DEGREES

| Boom Angle | Main Boom Length in Feet |                |               |                 |               |               |               |               |                |
|------------|--------------------------|----------------|---------------|-----------------|---------------|---------------|---------------|---------------|----------------|
|            | 35                       | 40             | 50            | *60             | 70            | 80            | 90            | 100           | 110            |
| 0°         | 15,490<br>(27.8)         | 12,240<br>(33) | 7,860<br>(43) | 4,970<br>(52.8) | 3,670<br>(63) | 2,710<br>(73) | 1,960<br>(83) | 1,360<br>(93) | 880<br>(102.8) |

## ON RUBBER

Stationary Capacity Defined Arc (3) Over Front

| Boom Angle | Main Boom Length in Feet |               |               |                 |               |
|------------|--------------------------|---------------|---------------|-----------------|---------------|
|            | 35                       | 40            | 50            | *60             | 70            |
| 0°         | 13,900<br>(27.8)         | 9,660<br>(33) | 4,830<br>(43) | 2,160<br>(52.8) | 1,010<br>(63) |

Stationary Capacity 360° Arc

| Boom Angle | Main Boom Length in Feet |               |             |
|------------|--------------------------|---------------|-------------|
|            | 35                       | 40            | 50          |
| 0°         | 6,910<br>(27.8)          | 4,190<br>(33) | 970<br>(43) |

Pick & Carry Capacities Up to 2.5 MPH Boom Centered (7) Over Front

| Boom Angle | Main Boom Length in Feet |               |               |                 |               |
|------------|--------------------------|---------------|---------------|-----------------|---------------|
|            | 35                       | 40            | 50            | *60             | 70            |
| 0°         | 13,900<br>(27.8)         | 9,660<br>(33) | 4,830<br>(43) | 2,160<br>(52.8) | 1,010<br>(63) |

A6-829-009334

Note: ( ) Reference radii in feet

\*60 ft. boom length is with inner-mid extended and outer-mid & fly ret.

Refer to in-cab load chart for notes.