

# RT520

## SPECIFICATIONS



### GROVE MANUFACTURING COMPANY

Division of Walter Kidde & Company, Inc.

**KIDDE**

SHADY GROVE, PA. 17258







## SUPERSTRUCTURE SPECIFICATIONS

**BOOM** – 25 ft. – 60 ft. (7.6m – 18.3m); 3-section Trapezoidal†-shaped full power mechanically synchronized main boom.

\*24 ft. – 42 ft. (7.3m – 12.8m); 2-section Trapezoidal†-shaped full power main boom. Boom extension is composed of a 5 in. (127mm) dia. bore double-acting cylinder with integral holding valve.

\*28 ft. – 70 ft. (8.6m – 21.2m); 3-section Trapezoidal†-shaped full power mechanically synchronized main boom.

Boom extension for 3-section booms is composed of a 6½ in. (165mm) bore, double-acting telescope cylinder with integral holding valve which extends the mid section. Fly section is mechanically extended by a 7⁄8 in. (22mm) dia. cable attached to the mid section which insures positive synchronization at all boom lengths. Extension cable is supported by two 14⁷⁄₈ in. (378mm) tread dia., metallic sheaves which are attached to the outer end of the mid section. A separate ¾ in. (19mm) dia. cable is provided for boom retraction.

Boom telescope sections are supported on Nylatron wear pads. Side adjustable wear pads prevent metal-to-metal contact of inner boom sections and permit ease of boom side alignment.

\***JIBS** – 23 ft. – 38 ft. (7.1m – 11.6m) telescoping "A"-frame for 28 ft. – 70 ft. (8.6m – 21.2m) boom. Jib can be adjusted from 23 ft. (7.1m), retracted length to 33 ft. (10.1m) and 38 ft. (11.6m) lengths. 23 ft. (7m) "A"-frame for 28 ft. – 70 ft. (8.6m – 21.2m) boom. 20 ft. (6.1m) "A"-frame for 24 ft. – 42 ft. (7.3m – 12.8m) and 25 ft. – 60 ft. (7.6m – 18.3m) booms. "A"-frame section attaches to boom nose and stows beneath the main boom for travel. Jibs can be set at offsets of 0°, 15° and 30°. Jibs include jib backstops, single rope self-equalizing suspension, removable pin-type rope guard and a single 13⁷⁄₈ in. (352mm) tread dia. metallic sheave.

**BOOM NOSE** – Reinforced hi-strength steel construction. Three metallic load bearing sheaves, 10⁵⁄₈ in. (270mm) tread dia., mounted on heavy duty tapered roller bearings. One (\*two with auxiliary hoist and/or jib) metallic floating idler sheave, 10⁵⁄₈ in. (270mm) tread dia., mounted on bronze bushing. Removable pin-type rope guards for easy reeving. Rope dead ends on either side of boom nose.

\***AUXILIARY BOOM NOSE** – Removable single metallic load bearing sheave, 13⁷⁄₈ in. (352mm) tread dia., mounted to main boom nose for single part line work. Equipped with removable pin-type rope guard.

**BOOM ELEVATION** – Two double-acting 8¼ in. (210mm) dia. bore, 36 in. (914mm) stroke cylinders with integral holding valves provide elevation from 0° to 75°. Pendulum-type boom angle indicator mounted on left side of base boom section. (\*Electronic, in-cab, boom angle indicator).

**SWING** – Grove planetary speed reducer powered by a high torque, low RPM hydraulic orbit motor providing smooth, precise 360° continuous rotation. Equipped with Grove "glide swing" with foot-activated multiple disc swing brake for precision stopping. Electric/hydraulic swing parking brake, hand operated plunger-

type house lock or \*hand-operated 360° positive swing lock controlled from operator's cab. Externally driven sealed ball bearing with pinion and bearing guard. Precision machined bearing mounting surface prevents distortion of swing circle bearing. Maximum speed 3.3 RPM. (\*non-free swing w/auto. multi-disc brake available).

**CAB** – One-man turntable-mounted on vibration and shock absorbing rubber grommets, fully enclosed, all-steel. Full vision with tinted tempered safety glass (except removable front windshield and hinged skylight which are tinted laminated safety glass). Hinged skylight, sliding left side door and sliding right side window for ventilation. Dash-mounted control levers, combination hand and foot controls for boom elevation and engine throttle, outrigger sight level bubble, electric windshield wiper, electric horn, door and window locks, domelight, dashlight, 3¾ lbs. (1.7kg) dry type fire extinguisher, cab mounted worklight. (\*Electronic boom angle indicator with adjustable high and low angle presets and A/V warning, \*20,000 BTU/hr. diesel fuel heater, \*defroster fan, \*windshield washer, \*manual skylight wiper, and \*sound suppression.

**CONTROLS** – Left of steering wheel are dash-mounted, hand-operated control levers for swing, boom telescope and rear axle steering; at right are control levers for boom elevation, \*auxiliary hoist and main hoist. Foot-operated controls consist of dynamic swing brake, boom elevation, service brakes and engine throttle. Operator's right hand console includes transmission gear selection, high-low range selection, hand-operated engine throttle, outrigger sequence controls, emergency parking brake, outrigger sight level bubble, \*heater controls, console panel lights, engine start/stop. Additional dash-mounted controls include \*electric oscillation lockout override, worklights and master ignition, electric horn integral with steering wheel.

**CAB INSTRUMENTATION** – Hourmeter, engine oil pressure, engine water temperature (except Deutz Diesel), voltmeter, transmission/converter oil temperature and electric fuel gauge. \*Emergency steer indicator, \*rear wheel alignment indicator. A/V warnings for low air system pressure, and \*engine low oil pressure and high water temperature. (Cylinder head temperature gauge and V-belt failure indicator for optional air-cooled Deutz engine.) All gauges are international type.

**COUNTERWEIGHT** – Removable, bolted to turntable mast, stationary. Weight varies dependent on boom & hoist configuration (refer to Axle Weight Distribution Chart).

\***LOAD MOMENT – ANTI-TWO BLOCK SYSTEM (KRUGER)** – Audio-visual warning in combination with control lever lockout† of: hoist up, telescope out and boom down crane functions. Kruger LMI control console provides operator with display of boom length and load moment. A separate Grove anti-two block system can be obtained independent of the complete Kruger LMI, and is available with audio-visual warning only or audio-visual warning in combination with Grove control lever lockout† of hoist up, telescope out and boom down crane functions.

† Patented Grove feature or patent pending.



# HOIST SPECIFICATIONS

**DESCRIPTION:** Power up and down, equal speed, planetary reduction with integral automatic brake. \*Electronic hoist drum rotation indicators.

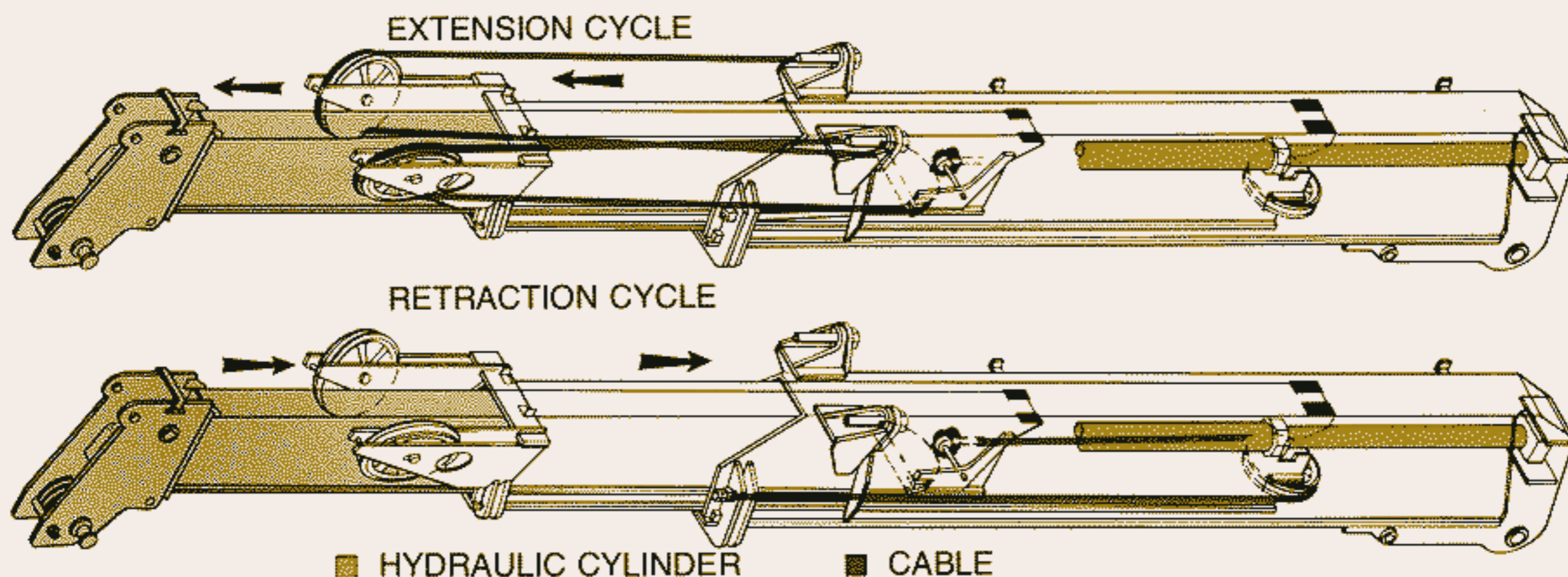
HOIST DATA	* MAIN HOIST Grove Model 15H-11B	MAIN HOIST Grove Model 15H-16B	*†MAIN OR AUX. HOIST Gearmatic Model 25 SGECR (Controlled Free Fall)	*AUXILIARY HOIST Grove Model 15S-11B
<b>Drum Dimensions</b>	12 in. dia. (305mm) 11 in. length (279mm) 17.5 in. flange dia. (445mm)	12 in. dia. (305mm) 16 in. length (406mm) 17.5 in. flange dia. (445mm)	9 in. dia. (229mm) 13 in. length (330mm) 17.5 in. flange dia. (445mm)	12 in. dia. (305mm) 11 in. length (279mm) 17.5 in. flange dia. (445mm)
<b>Performance: Max. Single Line Speed Max. Single Line Pull</b>	383 FPM (116.7m/min) 9,165 lbs. (4157kg)	383 FPM (116.7m/min) 9,165 lbs. (4157kg)	186 FPM (56.7m/min) (MAIN) 220 FPM (67.1m/min) (AUXILIARY) 10,000 lbs. (4540kg)	206 FPM (62.8m/min) 9,165 lbs. (4157kg)
<b>Drum Rope Storage Capacity</b>	**489 ft. (149.1m) of ½ in. (13mm) dia. rope	**720 ft. (219.6m) of ½ in. (13mm) dia. rope **480 ft. (146.3m) of ⅝ in. (16mm) dia. rope	**675 ft. (205.7m) of ½ in. (13mm) dia. rope	**489 ft. (149.1m) of ½ in. (13mm) dia. rope
<b>Permissible Single Line Rope Pull w/3.5:1 Safety Factor</b>	½ in. (13mm) 18x19 class – 7,714 lbs. (3499kg)	½ in. (13mm) 18x19 class – 7,714 lbs. (3499kg) ⅝ in. (16mm) 18x19 class – 7,926 lbs. (3595kg)	½ in. (13mm) 18x19 class – 7,714 lbs. (3499kg)	½ in. (13mm) 18x19 class – 7,714 lbs. (3499kg)

\*Denotes optional equipment.

\*\*6th layer of rope not recommended for hoisting operations. (5th layer for ⅝ in. (16mm) rope on 15H-16B).

†Controlled free fall hoist option available for main or auxiliary hoist, not both.

## SMOOTH, POSITIVE SYNCHRONIZATION\*



**EXTENSION CYCLE** – As the mid-section is extended by the telescope cylinder, the fly section is pulled out of the mid-section in direct proportion by a ⅞ in. (22mm) cable. The extension cable has a safety factor of 3.5 to 1 (6 to 1 with international version and 1 ⅞ in. (29mm) dia. cable) and is attached with threaded connections at base section and retained on either side of the sheave segment by swaged collars. This prevents the boom from retracting should the cable break.

**RETRACTION CYCLE** – As the telescope cylinder retracts the mid-section, the fly section is retracted proportionally by a ¾ in. (19mm) cable attached to the inside of the fly section, threaded around a sheave attached to the base of the mid-section and anchored to the base section.

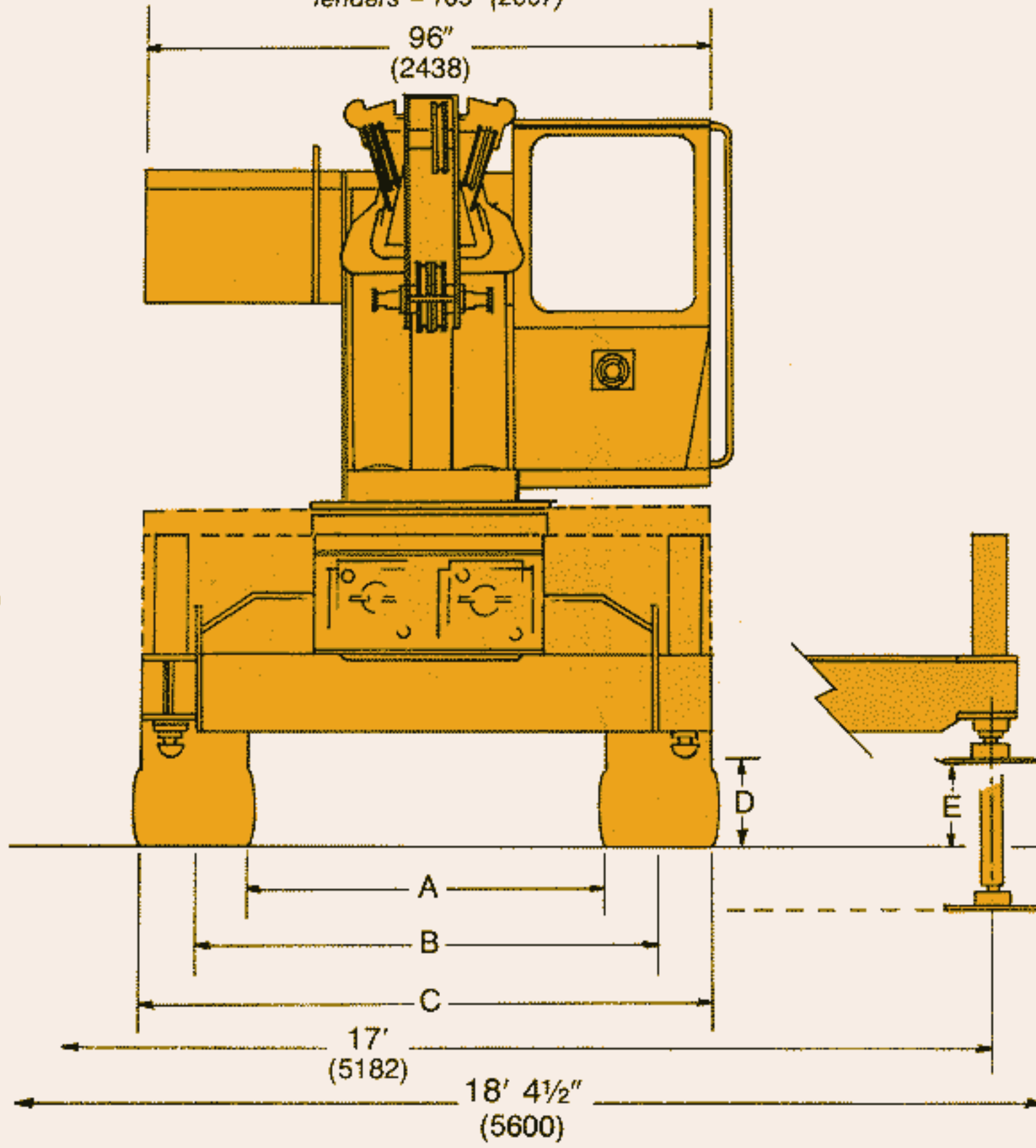
\*For 25 ft. – 60 ft. (7.6m – 18.3m) boom and optional 28 ft. – 70 ft. (8.6m – 21.2m) boom.





# DIMENSIONS

NOTE: With 20.5x25 tires with fenders, the extreme travel width is over the fenders - 105" (2667)



## TAIL SWING

8' 6" (2591) [w/24 - 42 ft. (7.3 - 12.8m) and 25 - 60 ft. (7.6 - 18.3m) booms w/o aux. hoist]

10' 3<sup>9</sup>/<sub>16</sub>" (3138) [w/28 - 70 ft. (8.6 - 21.2m) boom with or w/o aux. hoist and 24 - 42 ft. (7.3 - 12.8m) and 25 - 60 ft. (7.6 - 18.3m) booms w/aux. hoist]

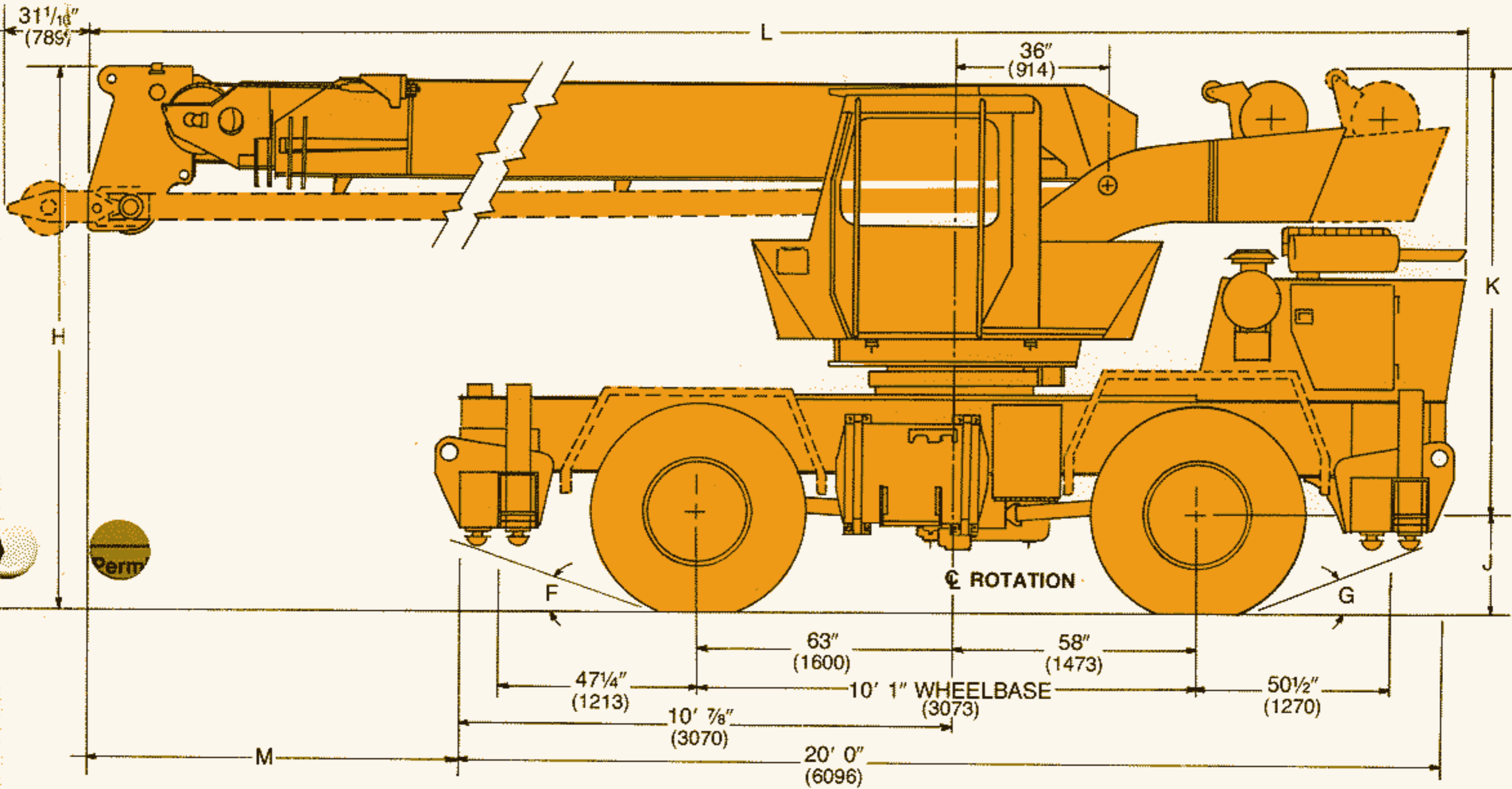
## TURNING RADIUS

17' (5182) (4 wheel steer)

## DIMENSIONAL DRAWING

Tire Size	A	B	C	D	E	F	G	H	J	AUXILIARY HOIST	K
*14:00x24	63 <sup>1</sup> / <sub>4</sub> " (1607)	79 <sup>1</sup> / <sub>2</sub> " (2019)	96" (2438)	16 <sup>5</sup> / <sub>8</sub> " (422)	14 <sup>1</sup> / <sub>4</sub> " (362)	22°	20°	10' 7 <sup>5</sup> / <sub>8</sub> " (3242)	24 <sup>7</sup> / <sub>8</sub> " (632)	15S-11B	8' 10 <sup>1</sup> / <sub>4</sub> " (2699)
16:00x25	59" (1499)	77 <sup>1</sup> / <sub>2</sub> " (1969)	96" (2438)	18 <sup>1</sup> / <sub>2</sub> " (470)	13 <sup>3</sup> / <sub>8</sub> " (340)	24°	23°	10' 9 <sup>3</sup> / <sub>4</sub> " (3296)	27" (686)	GEARMATIC MODEL 25	9' 1 <sup>1</sup> / <sub>16</sub> " (2770)
*20.5x25	58 <sup>1</sup> / <sub>4</sub> " (1480)	81 <sup>1</sup> / <sub>8</sub> " (2061)	102" (2591)	19 <sup>1</sup> / <sub>2</sub> " (495)	14 <sup>3</sup> / <sub>8</sub> " (365)	17°	16°	10' 9 <sup>1</sup> / <sub>2</sub> " (3289)	26 <sup>3</sup> / <sub>4</sub> " (680)		

BOOM LENGTH	L	M
*24' - 42' 2-section (7.3m - 12.8m)	32' 4 <sup>1</sup> / <sub>2</sub> " (9868)	11' 10 <sup>13</sup> / <sub>16</sub> " (3627)
25' - 60' 3-section (7.6m - 18.3m)	33' 0" (10 058)	12' 6 <sup>5</sup> / <sub>16</sub> " (3818)
*28' - 70' 3-section (8.6m - 21.2m)	36' 4" (11 074)	15' 10 <sup>5</sup> / <sub>16</sub> " (4850)



## ENGINE SPECIFICATIONS

MAKE & MODEL	Detroit Diesel 4-53N	*Cummins V378-145	*Caterpillar 3208	*Deutz F6L912
TYPE	4 Cylinder O.H.V.	6 Cylinder O.H.V.	8 Cylinder O.H.V.	6 Cylinder O.H.V.
BORE	3.875 in. (98.4mm)	4.625 in. (117.5mm)	4.5 in. (114.3mm)	3.937 in. (100.0mm)
STROKE	4.50 in. (114.3mm)	3.75 in. (95.3mm)	5.0 in. (127.0mm)	4.724 in. (120.0mm)
DISPLACEMENT	212 cu. in. (3475cm <sup>3</sup> )	378 cu. in. (6915cm <sup>3</sup> )	636 cu. in. (10 424cm <sup>3</sup> )	345 cu. in. (5656cm <sup>3</sup> )
HORSEPOWER (NET)	115 @ 2800	121 @ 2800	121 @ 2800	114 @ 2650
GOVERNED RPM	2800	2800	2800	2650
TORQUE (NET)	246 ft. lbs. (34kg.m) @ 1800	250 ft. lbs. (34.6kg.m) @ 1800	279 ft. lbs. (38.6kg.m) @ 1400	240 ft. lbs. (33.2kg.m) @ 1500
ELECTRICAL SYSTEM	12 Volt, Negative Ground	12 Volt, Negative Ground	12 Volt, Negative Ground	12 Volt, Negative Ground
STARTING SYSTEM	24 Volt	24 Volt	24 Volt	24 Volt
COMBUSTION SYSTEM	2 Cycle w/blower	4 Cycle, Naturally Aspirated	4 Cycle, Naturally Aspirated	4 Cycle, Naturally Aspirated
COOLING SYSTEM (CAP.)	Liquid - 9.4 gal. (35.5 liters)	Liquid - 9.6 gal. (36.4 liters)	Liquid - 13.4 gal. (50.6 liters)	Air Cooled
FUEL CAPACITY	60 gal. (227 liters)	60 gal. (227 liters)	60 gal. (227 liters)	60 gal. (227 liters)
ALTERNATOR	90 AMP	90 AMP	90 AMP	90 AMP
BATTERY	•(2) 625 CCA @ 0°F	•(4) 625 CCA @ 0°F	•(4) 625 CCA @ 0°F	•(2) 625 CCA @ 0°F
AIR CLEANER	Dry Type	Dry Type	Dry Type	Dry Type
AIR COMPRESSOR	12 CFM	13.2 CFM	12 CFM	7.5 CFM
HOURMETER	Yes	Yes	Yes	Yes

•CCA = cold cranking amperage.





## CHASSIS SPECIFICATIONS

**MAIN FRAME** – All welded box-type construction braced with cross-members. High-strength steel frame is reinforced at critical points to insure a rigid turntable mounting. Front and rear combination lifting/towing and tie-down lugs are integral with the main frame.

**OUTRIGGERS** – Front and rear hydraulic double-box integral with main frame; telescoping beams extend to 17 ft. (5.2m) center-to-center and retract to 8 ft. (2.4m) by 3 in. (76mm) bore double-acting cylinders. 21 in. (533mm) stroke 5.5 in. (140mm) bore double-acting vertical jacks with integral check valves for quick leveling on uneven terrain. Vertical jacks equipped with removable, stowable, lightweight, high strength 13.5 in. (343mm) square steel floats. All outrigger controls mounted in operator's cab. Required sequence control arrangement eliminates unintentional outrigger actuation. In addition to the standard integral holding valves and, for added security, the exclusive Grove \*Spin-lock is offered, which permits the outrigger vertical jack to be mechanically locked in any position throughout its stroke.

**TRANSMISSION & TORQUE CONVERTER** – Remote-mounted full powershift transmission with rear axle disconnect. Engine mounted converter, 2.15:1 stall ratio with PTO drive for hydraulic pumps.

**SPEEDS** – 6 forward and 6 reverse.

- 4 x 4 (3-speeds – high range – 2-wheel drive)
- (3-speeds – low range – 4-wheel drive)
- \*4 x 2 (3-speeds – high range – 2-wheel drive)
- (3-speeds – low range – 2-wheel drive)

**AXLES** – Front – Planetary drive/steer type mounted rigid to frame. Total reduction ratio 19.03:1.  
Rear: (4 x 4) planetary drive/steer type. Total reduction ratio 19.03:1. \*No-spin differential offered.  
\*(4 x 2) steering, non-driving type.  
Both standard driving (4 x 4) and optional non-driving (4 x 2) rear axles are pivot mounted to allow 0 in. to 10 in. (254mm) oscillation for rough terrain negotiation.

**HYDRAULIC OSCILLATION LOCKOUT** – Automatic, full hydraulic on rear axle permits rear axle oscillation only with boom centered in the over front position. Automatic axle lockout assures a rigid lifting platform when lifting on-rubber over-the-side. \*(Manually activated electric override control for automatic hydraulic lockouts).

**STEERING** – Front – Power assist hydraulic; controlled by steering wheel. Rear – Full hydraulic; tiller bar control. Independent front and rear steering control allows operator to choose mode of travel for optimum "on-the-move" maneuverability. Four steering modes available are: independent front wheel steer, independent rear wheel steer, 4-wheel coordinated steer and 4-wheel crab steer. (\*Electric emergency steering system).

**SERVICE BRAKES** – Dual braking system, air over hydraulic actuation on all 4 wheels. Size: 17¼ in. x 4 in. (438mm x 102mm). Total lining area 276 sq. in. (1781cm<sup>2</sup>). \*Air dryer prevents moisture in the system for maximum braking efficiency.

**PARKING BRAKE** – Spring applied, air released cab-controlled parking brake mounted on front axle.

**TIRES** – 16:00 x 25 – (20 P.R.) Earthmover type, tubeless.  
\*14:00 x 24 – (20 P.R.) Tube-type, non-directional.  
\*20.5 x 25 – (20 P.R.) Earthmover type, tubeless.

**\*TOW WINCH** – Braden PD-15 cab-controlled, front mounted (less rope and hook). Single line pull – 15,000 lbs. (6804kg); single line speed – 58.9 FPM (17.9m/min). Drum capacity of 340 ft. (103.6m) of 5/8 in. (16mm) dia. rope. Controlled by rear steer lever via selector switch.

### HYDRAULIC SYSTEM:

**RESERVOIR** – 88 gallon (333 liters) capacity, all steel fabrication with internal baffles, clean-out access, exterior sight level gauge, breather cap. Strap mounted to frame to reduce high stress levels at corner welds.

**FILTER** – Tank mounted, return line replaceable cartridge with bypass protection and filter bypass indicator. 25 micron rating.

**PUMPS** – 3 main gear pumps. 112.5 GPM (425.8 LPM) combined capacity. Separate power steering pump 18.7 GPM (71 LPM). (\*Pump disconnect lever with engine jogging switch to facilitate engagement of hydraulic pumps. Jogging switch located on turntable convenient to disconnect lever.)

**CONTROL VALVES** – Precision four-way double-acting with integral load holding, main and circuit relief valves. Three individual valve banks permitting simultaneous independent control of three crane functions. Maximum operating pressure of 2500 PSI (175.8kg/cm<sup>2</sup>).

**\*OIL COOLER** – Full flow, fin and tube, oil to air.

**POWER DISTRIBUTION** – Main hoist – 39.5 GPM (149.5 LPM) @ 2250 PSI (158.1kg/cm<sup>2</sup>); Main hoist boost, \*Auxiliary hoist, lift, telescope – 46.5 GPM (176 LPM) @ 2500 PSI (175.8kg/cm<sup>2</sup>); Rear steer, swing, outriggers – 26.5 GPM (100.3 LPM) @ 2250 PSI (158.1kg/cm<sup>2</sup>).

**MISCELLANEOUS STANDARD EQUIPMENT** – Air cleaner service restriction indicator, front and rear mounted lifting lugs, front storage well, console light, lockable fuel cap with flame arrestor, hourmeter, hydraulic test panel.

**\*MISCELLANEOUS OPTIONAL EQUIPMENT** – Fenders, cab spotlight, 360° rotating beacon, pintle hooks, tire inflation kit, backup alarm, hoist drum cable followers, tachometer, seat belt, manual skylight wiper, windshield washer.



## AXLE WEIGHT DISTRIBUTION CHART

ITEM	POUNDS			KILOGRAMS		
	GROSS	FRONT	REAR	GROSS	FRONT	REAR
Basic standard unit to include: 25 ft. – 60 ft. (7.6m – 18.3m) 3-section Trapezoidal-shaped boom, Grove Model 15H-16B main hoist w/450 ft. (137m) of rope, 16:00x25 tires, ●7,250 lb. (3289kg) counterweight, GM4-53N diesel engine, 4x4 drive.	46,464	21,529	24,935	21 076	9766	11 310
ADD:						
20 ft. (6.1m) jib for 24 ft. – 42 ft. (7.3m – 12.8m) and 25 ft. – 60 ft. (7.6m – 18.3m) booms	+668	+1,106	–438	+303	+502	–199
23 ft. (7m) jib for 28 ft. – 70 ft. (8.6m – 21.2m) boom	+952	+1,732	–780	+432	+786	–354
23 ft. – 38 ft. (7.1m – 11.6m) jib for 28 ft. – 70 ft. (8.6m – 21.2m) boom	+1,685	+2,967	–1,282	+764	+1346	–582
Fenders (14:00 or 16:00 tires)	+424	+204	+220	+192	+92	+100
Fenders (20.5 tires)	+462	+222	+240	+210	+101	+109
22 ton (20mt) 3 sheave hook block	+325	+954	–629	+147	+433	–285
12 ton (11mt) 1 sheave hook block	+285	+846	–561	+129	+384	–255
5 ton (4.5mt) headache ball	+150	+452	–302	+68	+205	–137
Auxiliary boom nose	+100	+309	–209	+45	+140	–95
Kruger load moment indicator and anti-two block system	+376	+337	+39	+171	+153	+18
●●Grove 15S-11B auxiliary hoist w/350 ft. (106.7m) of ½ in. (13mm) dia. rope [use with 24 ft. – 42 ft. (7.3m – 12.8m) and 25 ft. – 60 ft. (7.6m – 18.3m) booms]	–992	–749	–173	–418	–339	–79
●●Gearmatic Model 25 auxiliary hoist w/350 ft. (106.7m) of ½ in. (13mm) dia. rope [use with 24 ft. – 42 ft. (7.3m – 12.8m) and 25 ft. – 60 ft. (7.6m – 18.3m) booms]	–610	–860	+250	–277	–390	+113
●Grove 15S-11B auxiliary hoist w/350 ft. (106.7m) of ½ in. (13mm) dia. rope [use with 28 ft. – 70 ft. (8.6m – 21.2m) boom]	+839	–297	+1,136	+381	–135	+516
●Gearmatic Model 25 auxiliary hoist w/350 ft. (106.7m) of ½ in. (13mm) dia. rope [use with 28 ft. – 70 ft. (8.6m – 21.2m) boom]	+1,151	–408	+1,559	+522	–185	+707
SUBSTITUTE:						
24 ft. – 42 ft. (7.3m – 12.8m) 2-section Trapezoidal-shaped boom	–2,000	–2,799	+799	–907	–1270	+363
28 ft. – 70 ft. (8.6m – 21.2m) 3-section Trapezoidal-shaped boom	+1,844	+1,537	+307	+836	+817	+19
4x2 drive	–165	–	–165	–75	–	–75
Cummins V378-C145 diesel engine	+171	+95	+76	+78	+43	+35
Caterpillar 3208 diesel engine	+539	+35	+504	+245	+16	+229
Deutz F6L912 diesel engine	–220	–10	–210	–100	–5	–95
14:00x24 tires	–1,040	–520	–520	–472	–236	–236
20.5x25 tires	+1,008	+504	+504	+458	+229	+229
Grove 15H-11B main hoist w/450 ft. (137m) of ½ in. (13mm) dia. rope	–203	+32	–235	–92	+15	–107
Gearmatic Model 25 main hoist w/450 ft. (137m) of ½ in. (13mm) dia. rope	+110	–17	+127	+50	–8	+58

●7,250 lb. (3289kg) cwgt. use on 42 ft. and 60 ft. booms w/o aux. hoist and 70 ft. boom with or w/o aux. hoist.

●●4,770 lb. (2164kg) cwgt. used only on 42 ft. and 60 ft. booms with aux. hoist.

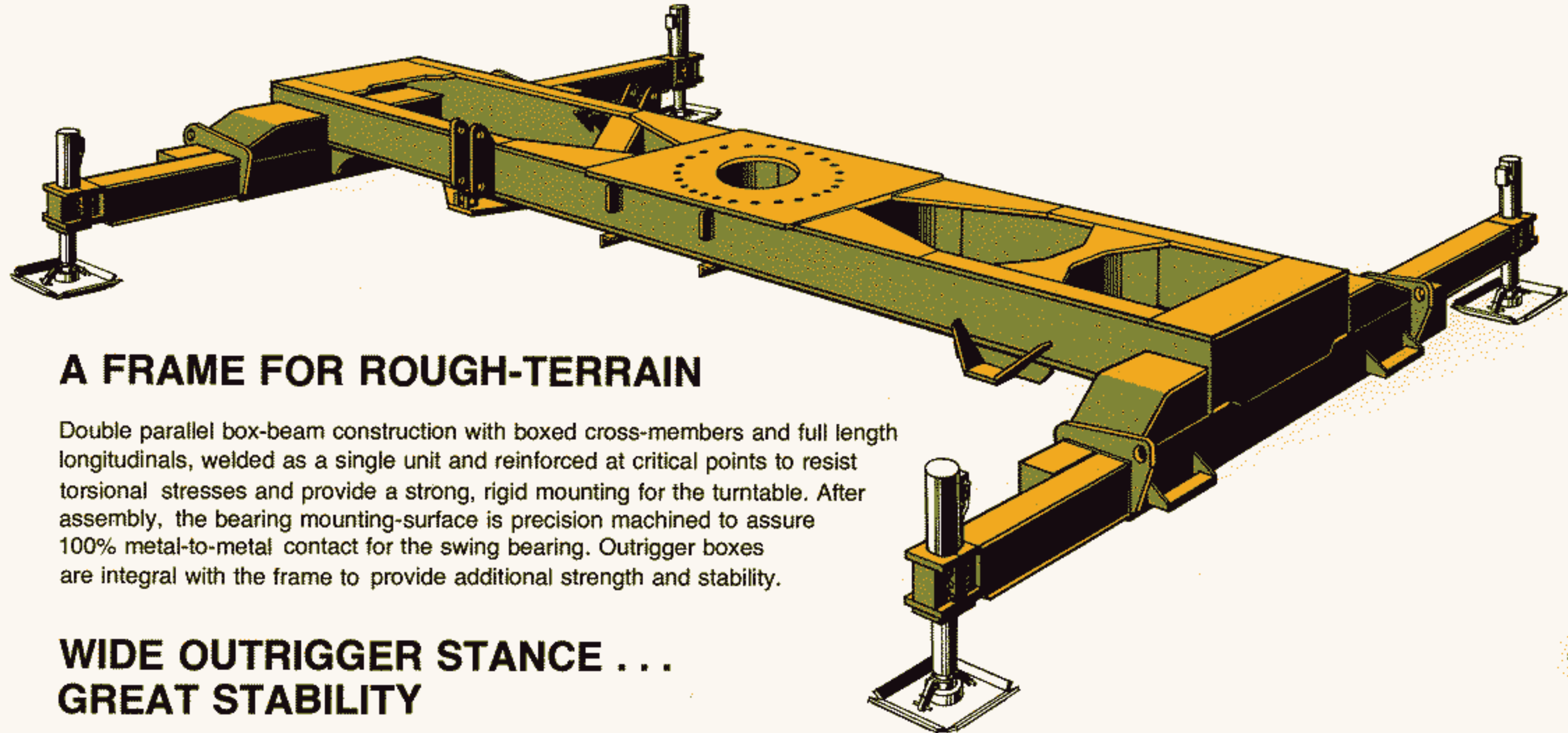
## SPEED AND GRADEABILITY

Forward Drive	Transmission Range	Gear Shift	Maximum Speed		Gradeability @ Stall (%)	Tractive Effort at Stall	
			MPH	KM/H		LBS.	KG
4 Wheel Drive	Low	1st	2.7	4.3	80.6	31,076	14 096
4 Wheel Drive	Low	2nd	5.2	8.4	32.5	15,805	7169
4 Wheel Drive	Low	3rd	14.6	23.5	9.0	5,279	2395
2 Wheel Drive	High	1st	6.0	9.7	27.9	13,867	6290
2 Wheel Drive	High	2nd	11.3	18.2	12.8	7,050	3198
2 Wheel Drive	High	3rd	23.3	37.5	2.9	2,339	1061

**NOTE:** All performance data is based on 48,000 lb. (21 772kg) machine with 16:00 x 25 tires, 4 x 4 drive and GM4-53N engine and may vary plus or minus 10% due to variations in engine performance.

Machines should be operated within the limits of engine crankcase design (30° – Cat, 20° – GM & Deutz, 40° – Cummins). Values for 4 x 4 and \*4 x 2 drives for high and low ranges are identical. Gradeability values above 45% (4 x 4 drive) and above 27% (4 x 2 drive) are theoretical.





## A FRAME FOR ROUGH-TERRAIN

Double parallel box-beam construction with boxed cross-members and full length longitudinals, welded as a single unit and reinforced at critical points to resist torsional stresses and provide a strong, rigid mounting for the turntable. After assembly, the bearing mounting-surface is precision machined to assure 100% metal-to-metal contact for the swing bearing. Outrigger boxes are integral with the frame to provide additional strength and stability.

## WIDE OUTRIGGER STANCE ... GREAT STABILITY

Telescoping beam and jack outriggers have a spread of 17 ft. (5.2m) which provides a nearly square stance for outstanding stability throughout the 360° lifting range. Jacks have a vertical stroke of 21 in. (533mm) and are equipped with integral holding valves. The exclusive Grove Spin-lock†, which permits the jack to be locked mechanically in any position, is available as optional equipment.

## EASY MANEUVERABILITY

Full-power hydraulic steering with four steering modes permits 4-wheel coordinated, 4-wheel crabbing, 2-wheel (front or rear) steering for easier maneuvering in tight quarters. Grove's system of independent control for each axle permits a greater degree of maneuverability with greater ease for the operator.

