

# GROVE

by **Manitowoc**



 **Lift  
Solutions**

**All-terrain cranes**

Version 001

# Contents

---

## Attachment

**LSAT A001** Counterweight

## Boom

**LSAT B001** Quick connection for hose drum

**LSAT B002** Heavy duty jib

**LSAT B003** Boom nose 2-line

**LSAT B004** Camera system

**LSAT B005** Light boom extension

**LSAT B006** Fly jib transport optimization

**LSAT B007** Rigging aid

**LSAT B008** Rope pulley on the boom

**LSAT B009** Boom dolly preparation

## Carrier

**LSAT C001** Light duty trailer hitch

**LSAT C002** Bluetooth radio carrier

**LSAT C003** Protective cover

**LSAT C004** Side cover installation

**LSAT C005** Additional fire extinguishers

**LSAT C006** Battery switch with 2 contacts

**LSAT C007** Driving speed limiter

**LSAT C008** Single seat cab

**LSAT C009** Axle load distribution

**LSAT C010** Driver cab insulation interior

**LSAT C011** Wind deflectors

**LSAT C012** Immobilizer

# Contents

---

## Hook Block

- LSAT H001 Split hook block
- LSAT H002 Manual position lock for hook block
- LSAT H003 Inspectable hook 12 metric tons
- LSAT H004 Hook block stowage at the rear of the crane
- LSAT H005 Hook block with removable weight plates

## Superstructure

- LSAT S001 Second brake on hoist
- LSAT S002 Counterweight detection
- LSAT S003 Screen sun protection film
- LSAT S004 Bluetooth radio superstructure
- LSAT S005 Seat heating
- LSAT S006 Megaphone
- LSAT S007 Additional fan
- LSAT S008 Extendible step tread
- LSAT S009 Ventilated seat
- LSAT S010 Camera system

## Z=Crane

- LSAT Z001 Cold weather package -40°C
- LSAT Z002 Short boom version
- LSAT Z003 Special application cranes
- LSAT Z004 Bio hydraulic oil

# Overview

LSAT	GMK3060	GMK4080-1 GMK4100B	GMK4100 GMK4115	GMK4100 GMK4115	GMK5095 GMK5115	GMK5110-1 GMK5135	GMK5130-2 GMK5165-2	GMK5170 GMK5225	GMK 5180-1	GMK5200-1	GMK5220 GMK5275	GMK 5250L	GMK 6300L	GMK 6400	GMK7450 GMK7450
A001														X	
B001		X	X	X	X	X	X	X	S	S	S	S	S		
B002	X														
B003							X								
B004						X	X							X	
B005														X	
B006														X	
B007						X	X								
B008												X	X		
B009															X
C001	X	X	X	X	X	X	X	X	X	X	X	X	X	X	X
C002	X	X	X	X	X	X	X	X	X	X	X	X	X	X	X
C003		X													
C004								X							
C005			X	X											
C006														X	
C007	X	X	X	X	X	X	X	X	X	X	X	X	X	X	X
C008									C	C		C			
C009														X	
C010									X	X		X	X	X	
C011			X	X	X	X	X								
C012	X												X		
H001								X	S	S	X	S	S		
H002								X	X	X	X	X	X		
H003								X	X	X	X	X	X		
H004								X			X				
H005			X	X	X										
S001		X													
S002													X		
S003	X	X	X	X	X	X	X	X	S	S	X	S	X	X	X
S004	X	X	X	X	X	X	X	X	X	X	X	X	X	X	X
S005	X	X	X	X	X	X	X	X	X	X	X	X	X	X	X
S006							X								
S007														X	
S008									S	S		S		X	
S009														X	
S010						X									
Z001							X								
Z002			X												
Z003		X													
Z004	X	X	X	X	X	X	X	X	X	X	X	X	X	X	X

**S** Serial equipment

**X** Existing models

**C** Concept only

# Counterweight

## Description

Customized Customer logo on the counterweight.



## Existing Models

GMK6400

## Notes

For pricing and lead time, please contact your local dealer or the Lift Solutions Team with specific product requirements.

# Quick connection for hose drum

## Description

Hydraulic device for easy connect/disconnect of the hose drum.



## Existing Models

GMK4080-1 – GMK6300L

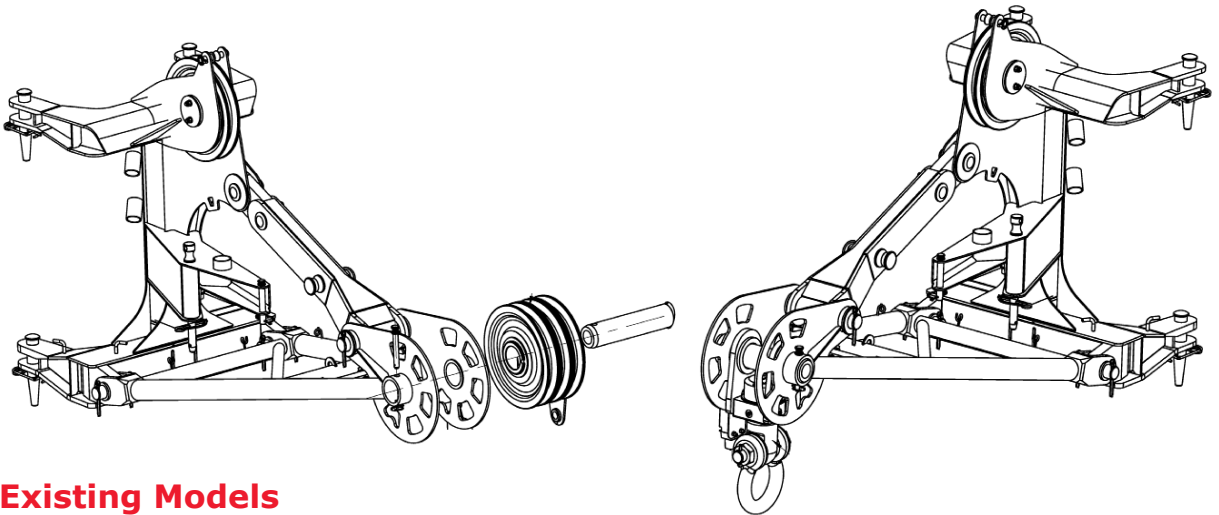
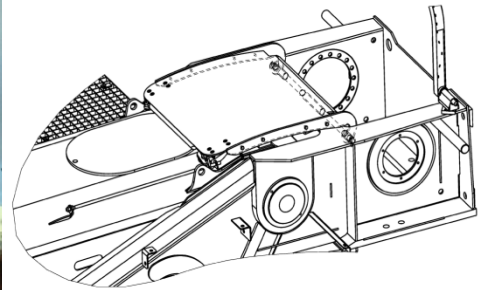
## Notes

For pricing and lead time, please contact your local dealer or the Lift Solutions Team with specific product requirements.

# Heavy duty jib

## Description

This three sheave heavy duty jib is specially capable to work inside of buildings or with special height limitations. The heavy duty jib is able to work with a fixed hook in a boom working range of 0° – 82°.



## Existing Models

GMK3060

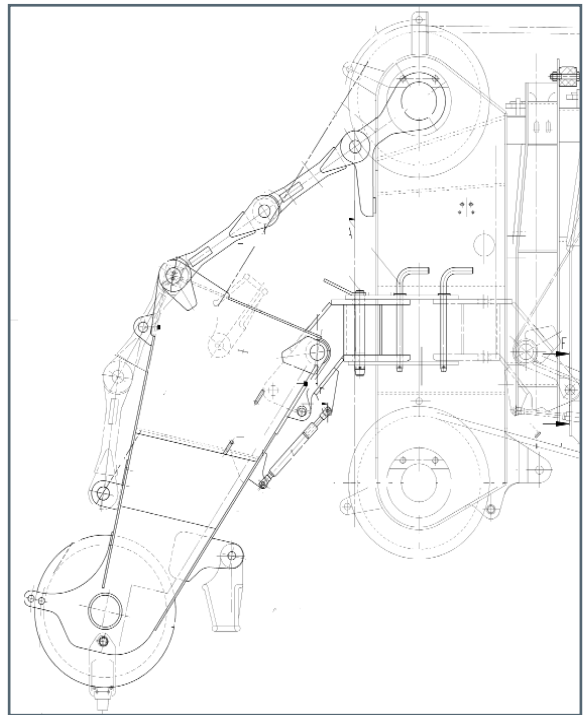
## Notes

For pricing and lead time, please contact your local dealer or the Lift Solutions Team with specific product requirements.

# Boom nose 2-line

## Description

The boom nose enables a two line hook operation.



## Existing Models

GMK5130-2/GMK5165

## Notes

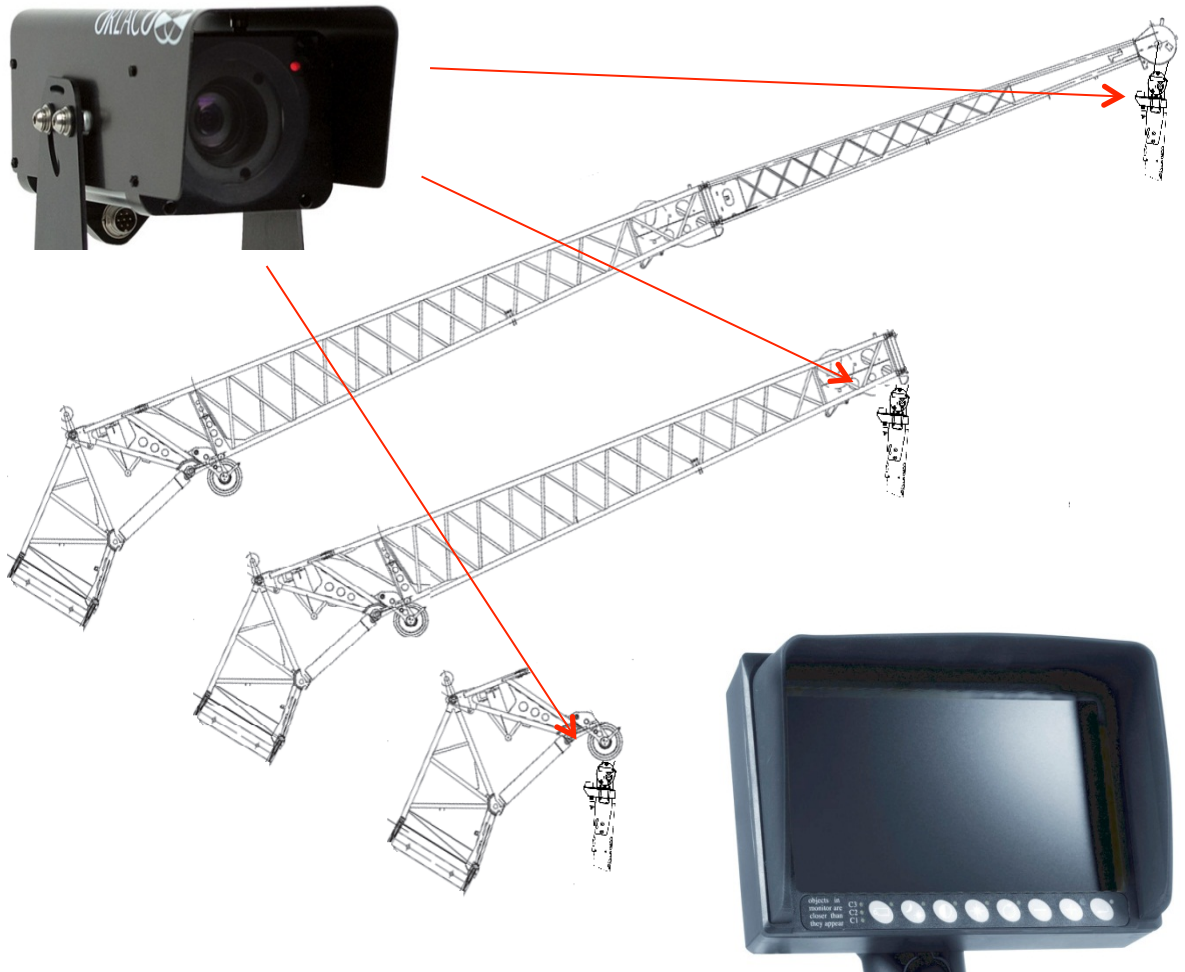
For pricing and lead time, please contact your local dealer or the Lift Solutions Team with specific product requirements.



# Camera system

## Description

Use of boom head camera on jib allows an extended view for the crane operator on a separate screen.



## Existing Models

GMK5110-1/GMK5135/GMK5130-2/GMK165-2/GMK6400

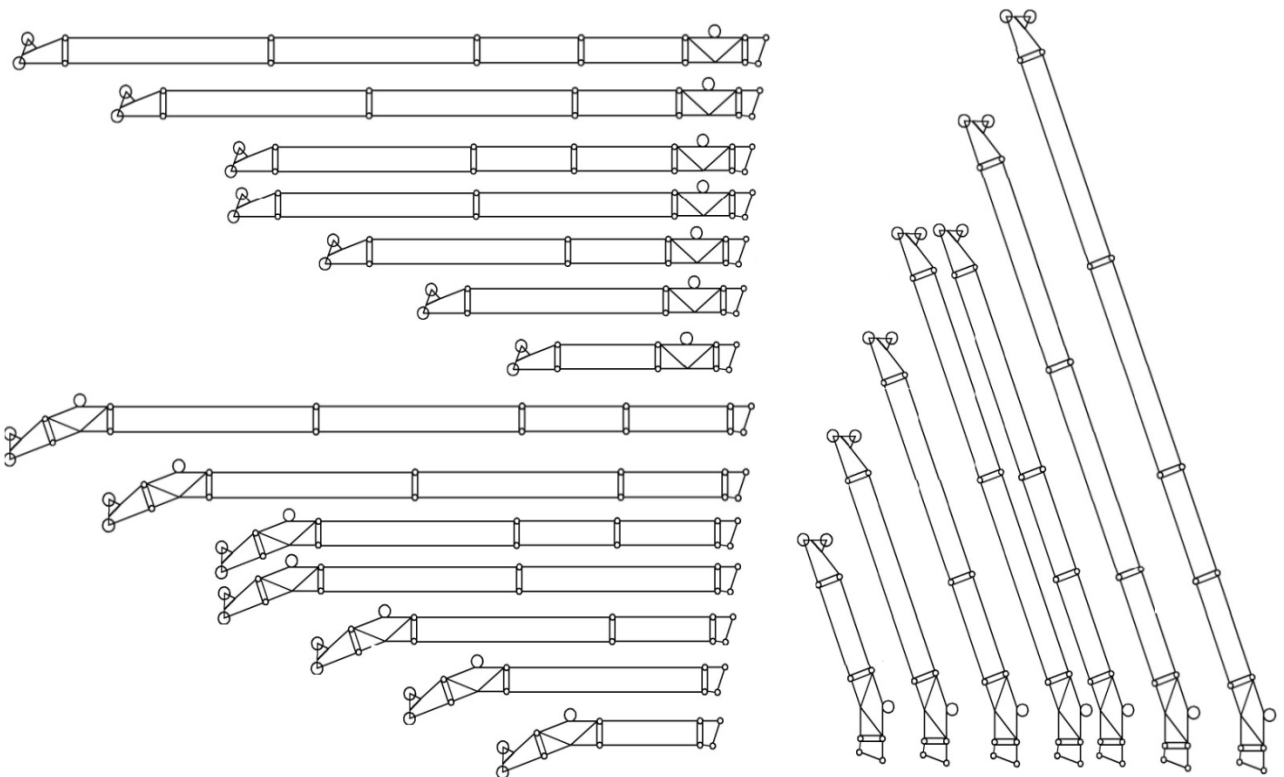
## Notes

For pricing and lead time, please contact your local dealer or the Lift Solutions Team with specific product requirements.

# Light boom extension

## Description

Jib load charts for a small jib based on the heavy duty jib adapter.



## Existing Models

GMK6400

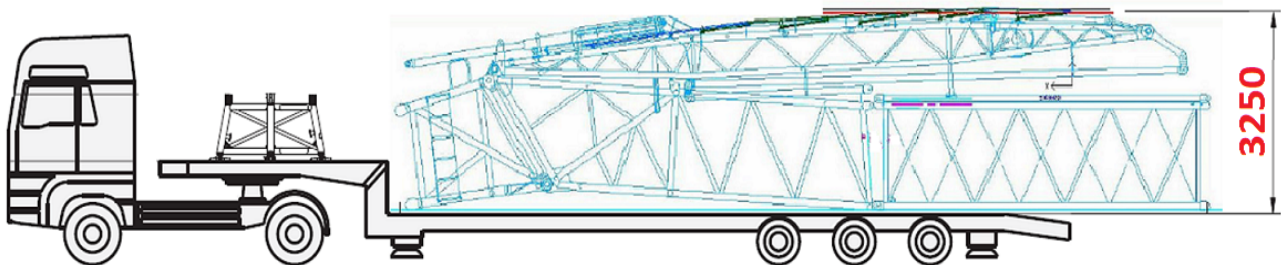
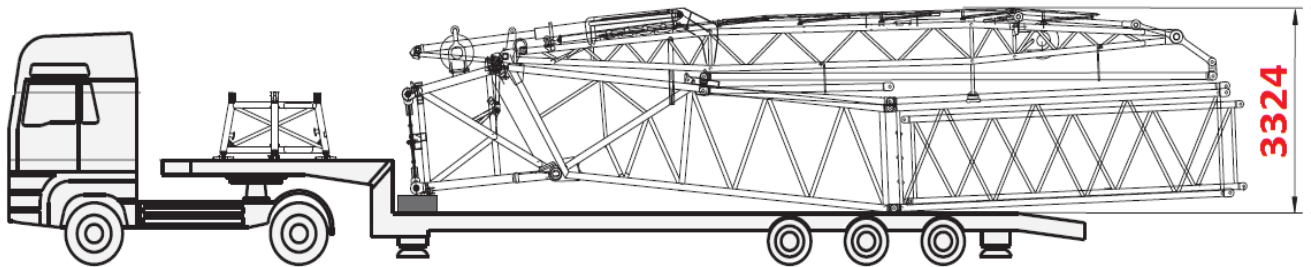
## Notes

For pricing and lead time, please contact your local dealer or the Lift Solutions Team with specific product requirements.

# Fly jib transport optimization

## Description

Reduced transport height for foot piece of luffing jib.



## Existing Models

GMK6400

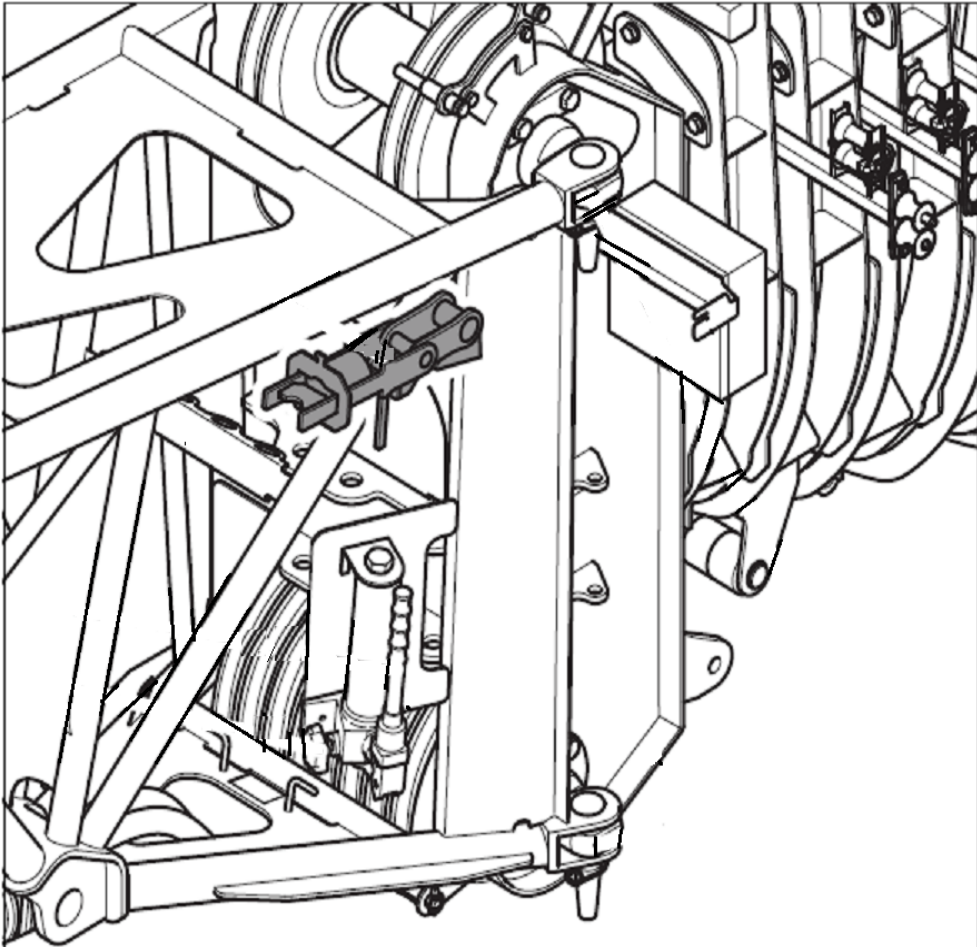
## Notes

For pricing and lead time, please contact your local dealer or the Lift Solutions Team with specific product requirements.

# Rigging aid

## Description

Rigging cylinder for easily adjusting the jib on the crane.



## Existing Models

GMK5110-1/GMK135/GMK5130-2/GMK165-2

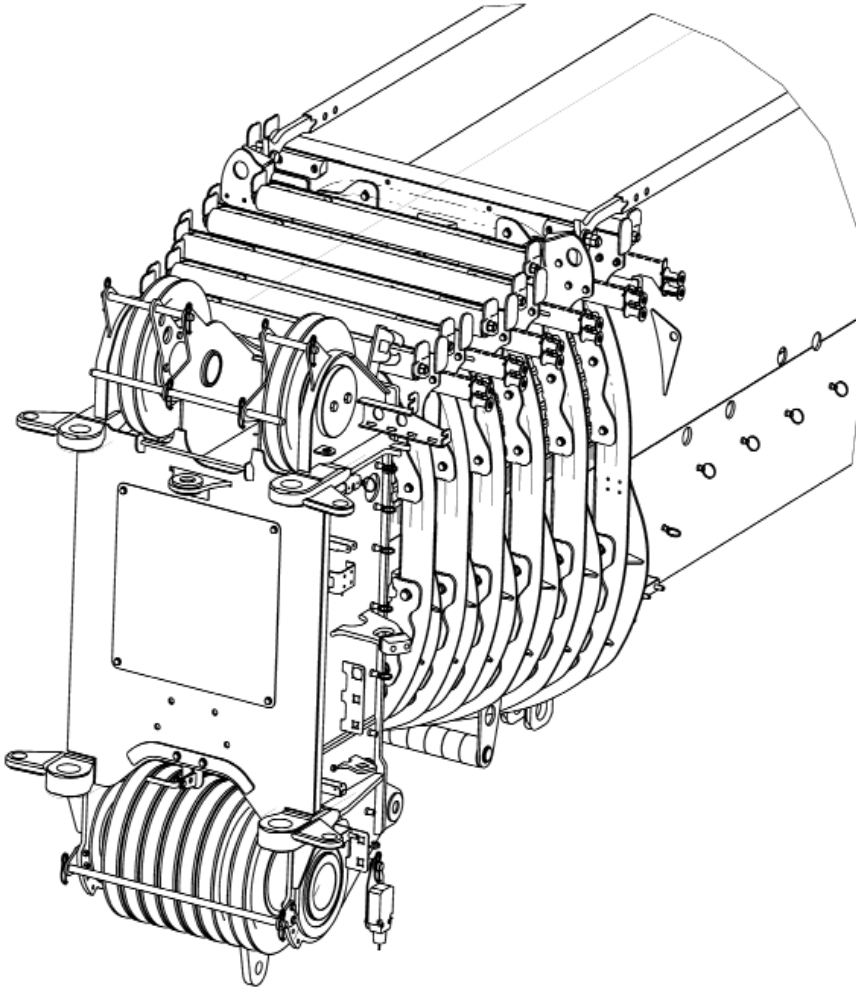
## Notes

For pricing and lead time, please contact your local dealer or the Lift Solutions Team with specific product requirements.

# Rope pulley on the boom

## Description

Rope pulley instead of sliding block on all telescope sections.



## Existing Models

GMK5250L/GMK6300L

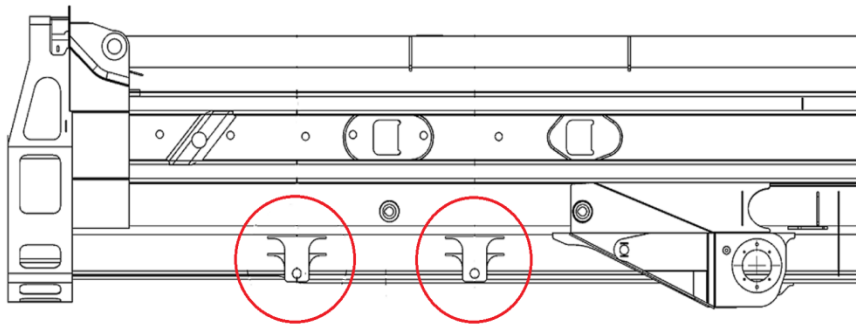
## Notes

For pricing and lead time, please contact your local dealer or the Lift Solutions Team with specific product requirements.

# Boom dolly preparation

## Description

Lugs welded on boom for boom Dolly preparation. Lugs and technical datas have to be provided by dolly manufacturer.



## Existing Models

GMK7450/GMK7550

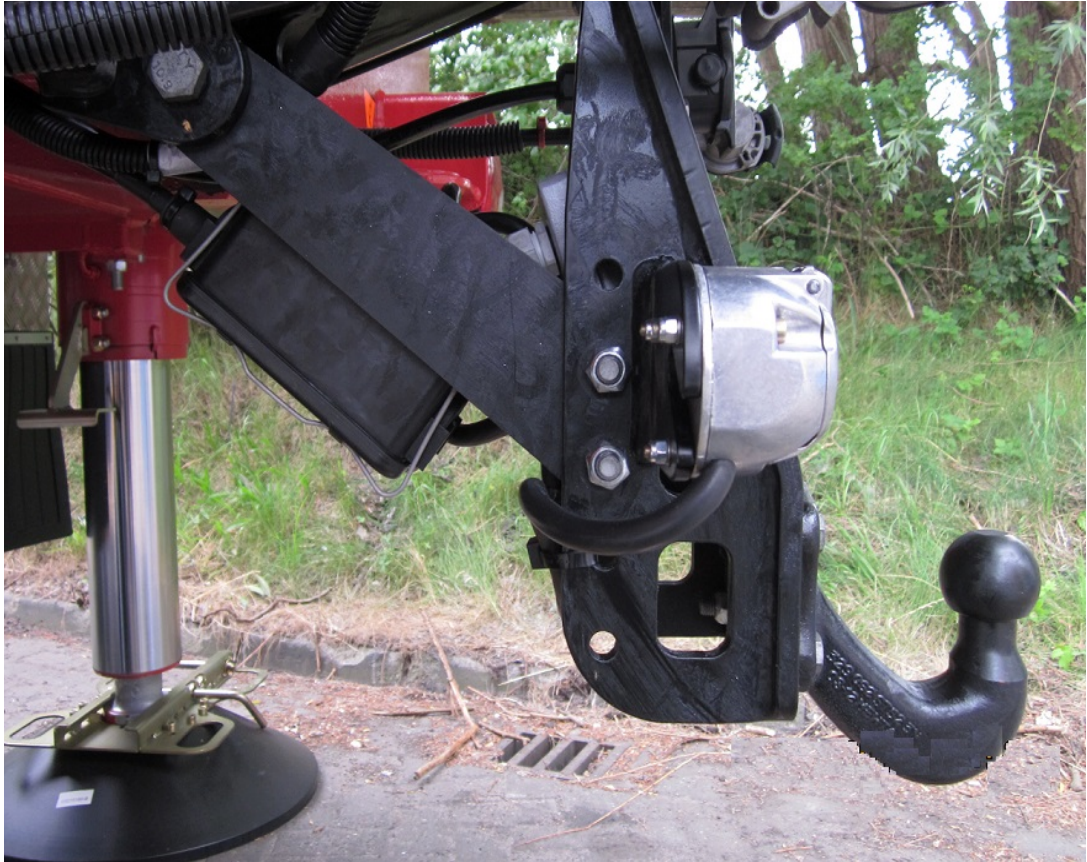
## Notes

For pricing and lead time, please contact your local dealer or the Lift Solutions Team with specific product requirements.

# Light duty trailer hitch

## Description

Ball Towing Hitch, Electric Plug 12V



## Existing Models

All GMKs

## Notes

For pricing and lead time, please contact your local dealer or the Lift Solutions Team with specific product requirements.

# Bluetooth radio carrier

## Description

Radio with CD player and Bluetooth connectivity.



## Existing Models

All GMKs

## Notes

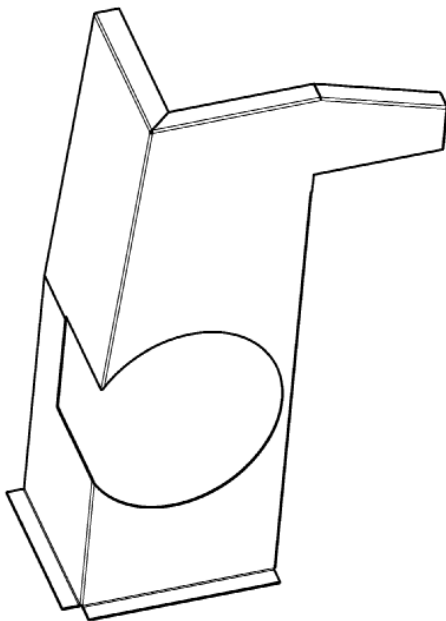
For pricing and lead time, please contact your local dealer or the Lift Solutions Team with specific product requirements.



# Protective cover

## Description

Protective cover for cool water reservoir and air filter.



## Existing Models

GMK4080-1/4100B

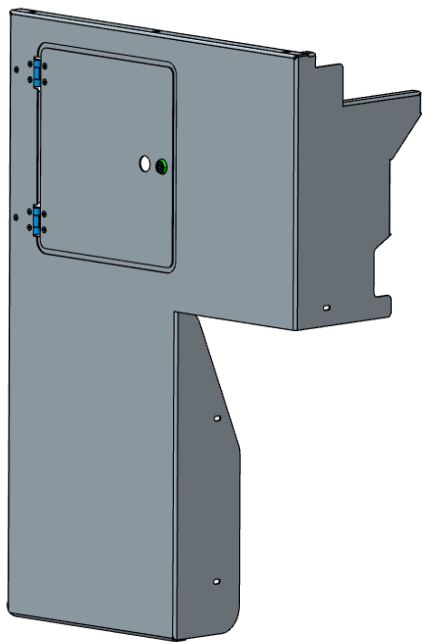
## Notes

For pricing and lead time, please contact your local dealer or the Lift Solutions Team with specific product requirements.

# Side cover installation

## Description

Additional cover on the left front side to offer additional protection against dirt.



## Existing Models

GMK5170/GMK5225 (3A engine)

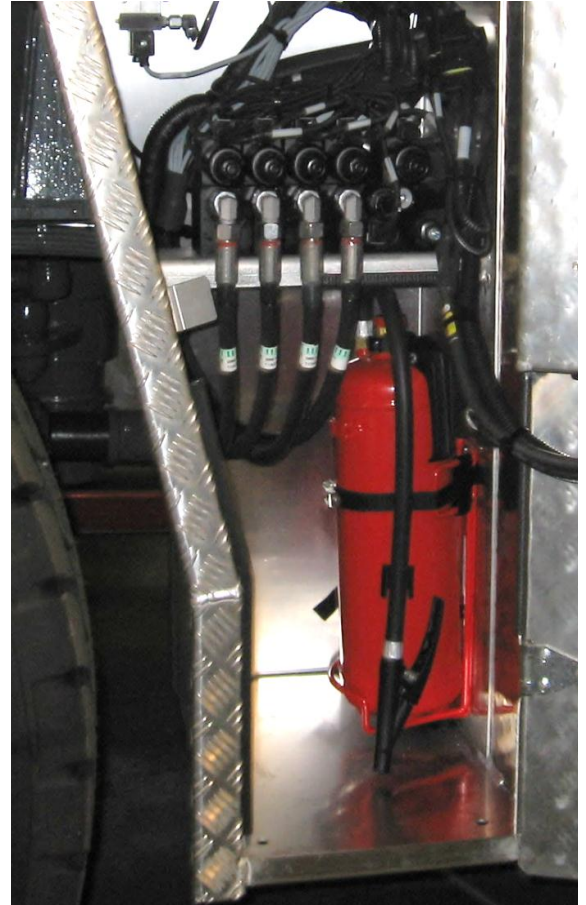
## Notes

For pricing and lead time, please contact your local dealer or the Lift Solutions Team with specific product requirements.

# Additional fire extinguisher

## Description

Additional fire extinguisher in separate case for outside installation.



## Existing Models

GMK4100/GMK4115/GMK4100L/GMK4115L

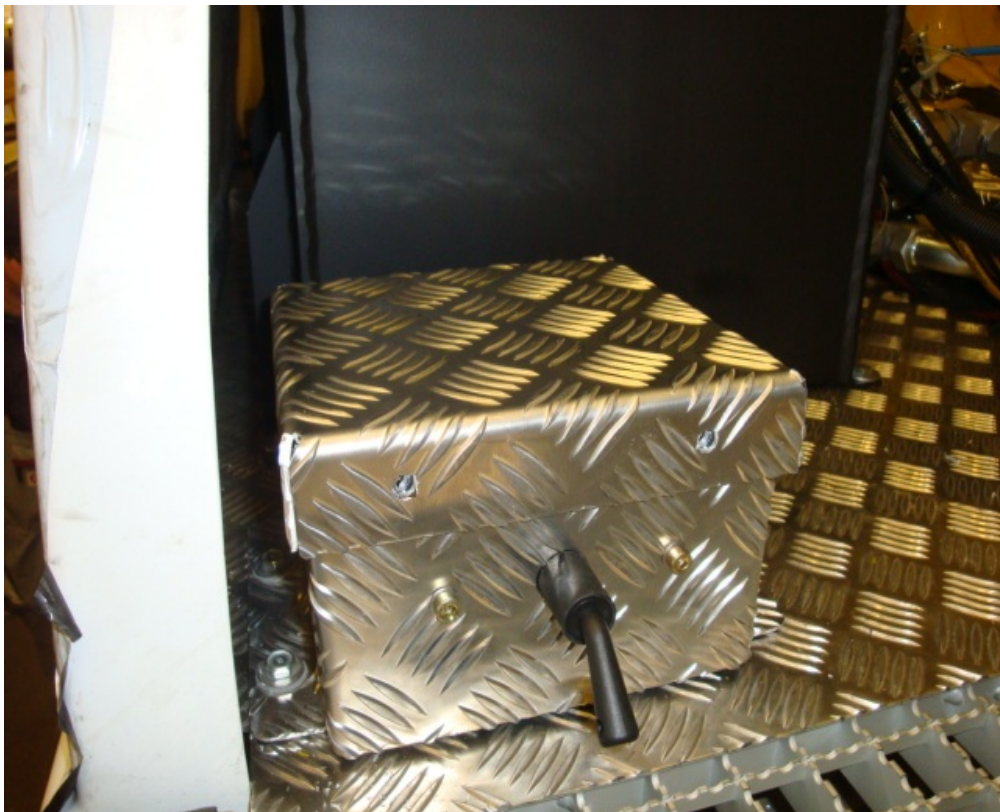
## Notes

For pricing and lead time, please contact your local dealer or the Lift Solutions Team with specific product requirements.

# Battery switch with 2 contacts

## Description

Main battery switch with 2 contacts (1 for positive and 1 for negative) for special working conditions such as refineries.



## Existing Models

GMK6400

## Notes

For pricing and lead time, please contact your local dealer or the Lift Solutions Team with specific product requirements.

# Driving speed limiter

## Description

Driving speed limiter for the crane at any requested speed.



## Existing Models

All GMKs

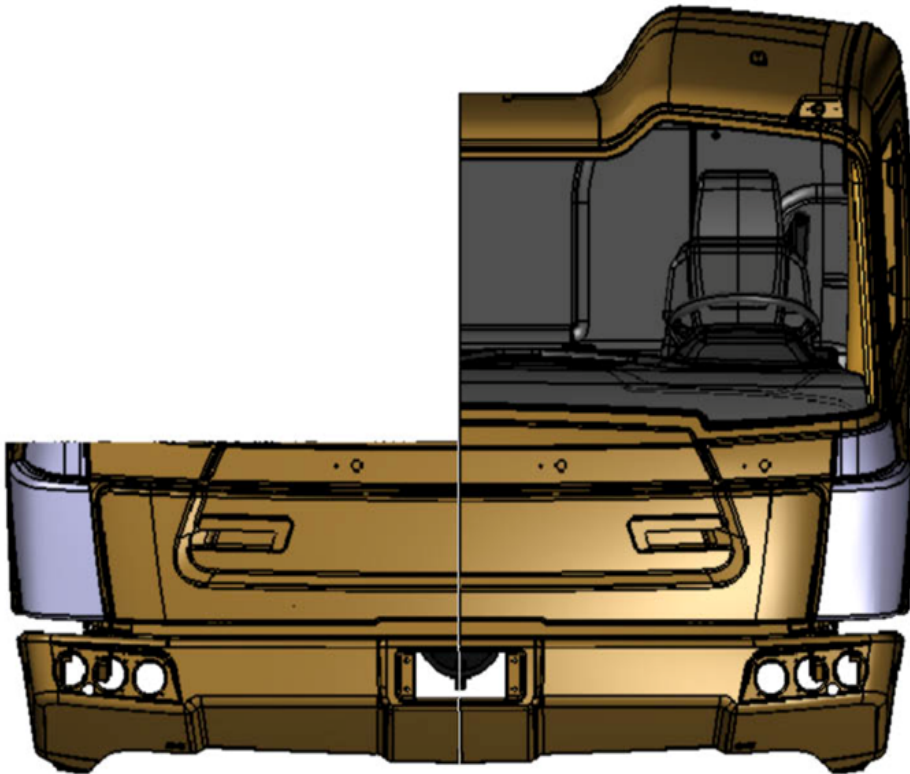
## Notes

For pricing and lead time, please contact your local dealer or the Lift Solutions Team with specific product requirements.

# Single seat cab

## Description

Concept of single seat cabs to offer additional storage space.



## Existing Models

Concept for GMK5180/GMK5200/GMK5250L

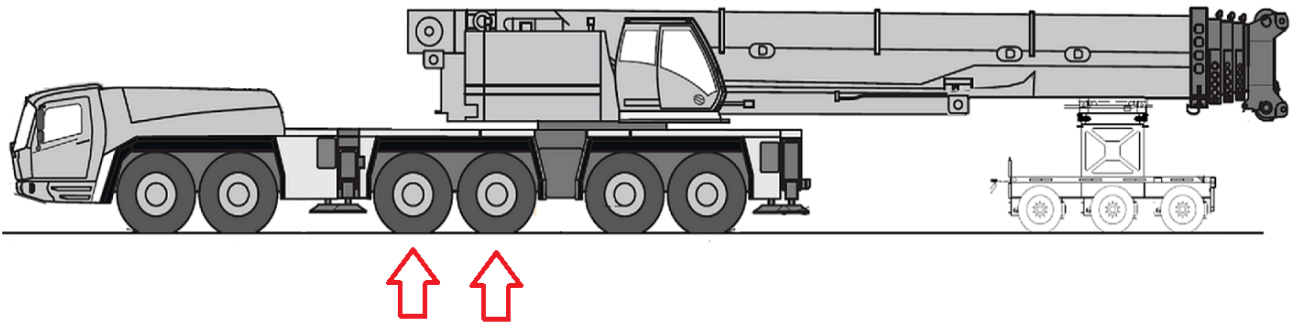
## Notes

For pricing and lead time, please contact your local dealer or the Lift Solutions Team with specific product requirements.

# Axle load distribution

## Description

The axles 3 and 4 can be adjusted to a fixed value. This is controllable from the cab by switch.



## Existing Models

GMK6400

## Notes

For pricing and lead time, please contact your local dealer or the Lift Solutions Team with specific product requirements.

# Driver cab insulation interior

## Description

Self adhesive mat to protect all windows in Drivers Cab against light and heat.



## Existing Models

GMK5180/GMK5200/GMK5250L/GMK6300L/GMK6400

## Notes

For pricing and lead time, please contact your local dealer or the Lift Solutions Team with specific product requirements.



# Wind deflector

## Description

Wind deflector for driver cab doors.



## Existing Models

GMK4100/GMK4115/GMK4100L/GMK4115L/GMK5095/GMK5115/  
GMK5110-1/GMK5135/GMK5130-2/GMK5165-2

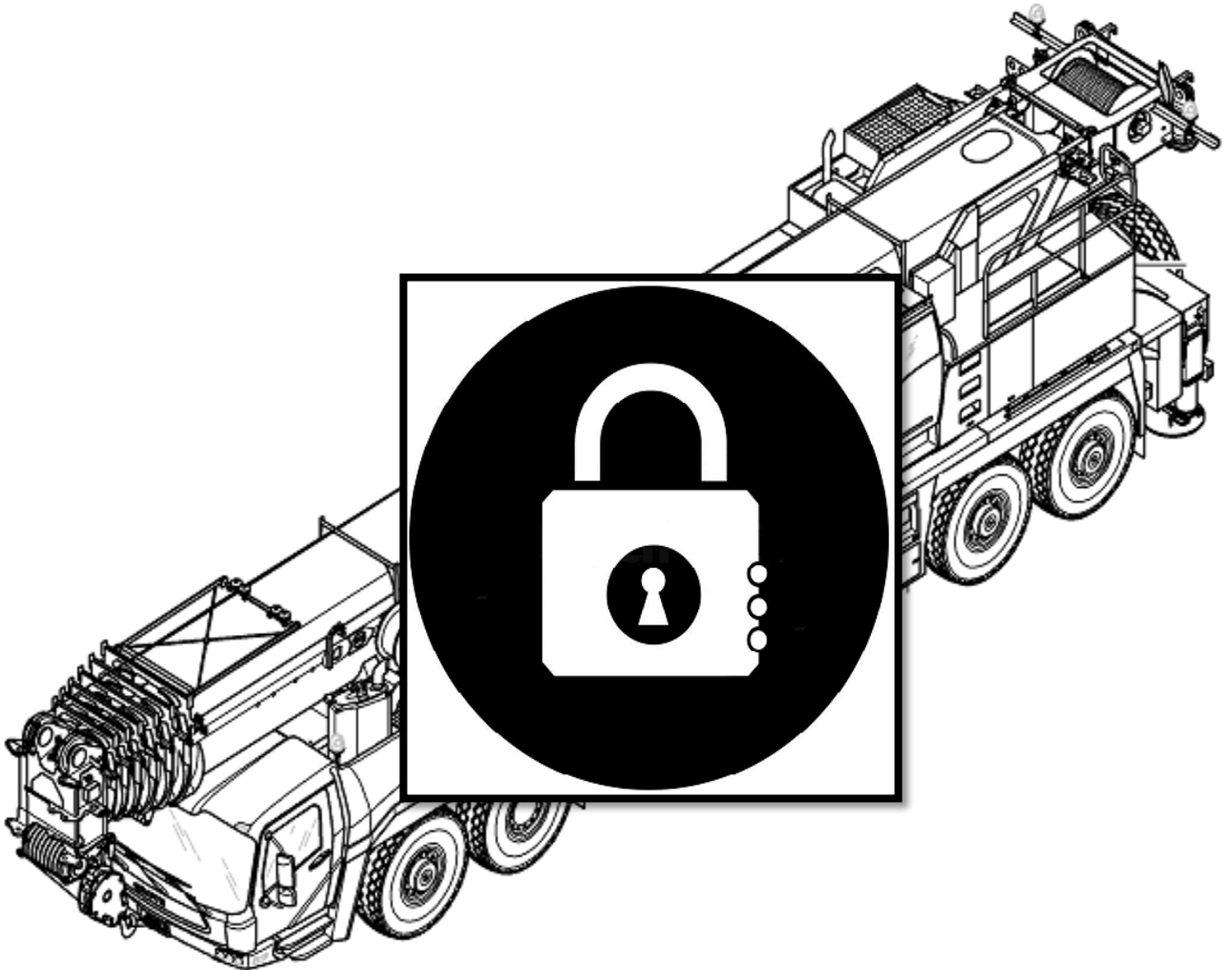
## Notes

For pricing and lead time, please contact your local dealer or the Lift Solutions Team with specific product requirements.

# Immobilizer

## Description

Immobilizer in drivers cab.



## Existing Models

GMK3060/GMK6300L

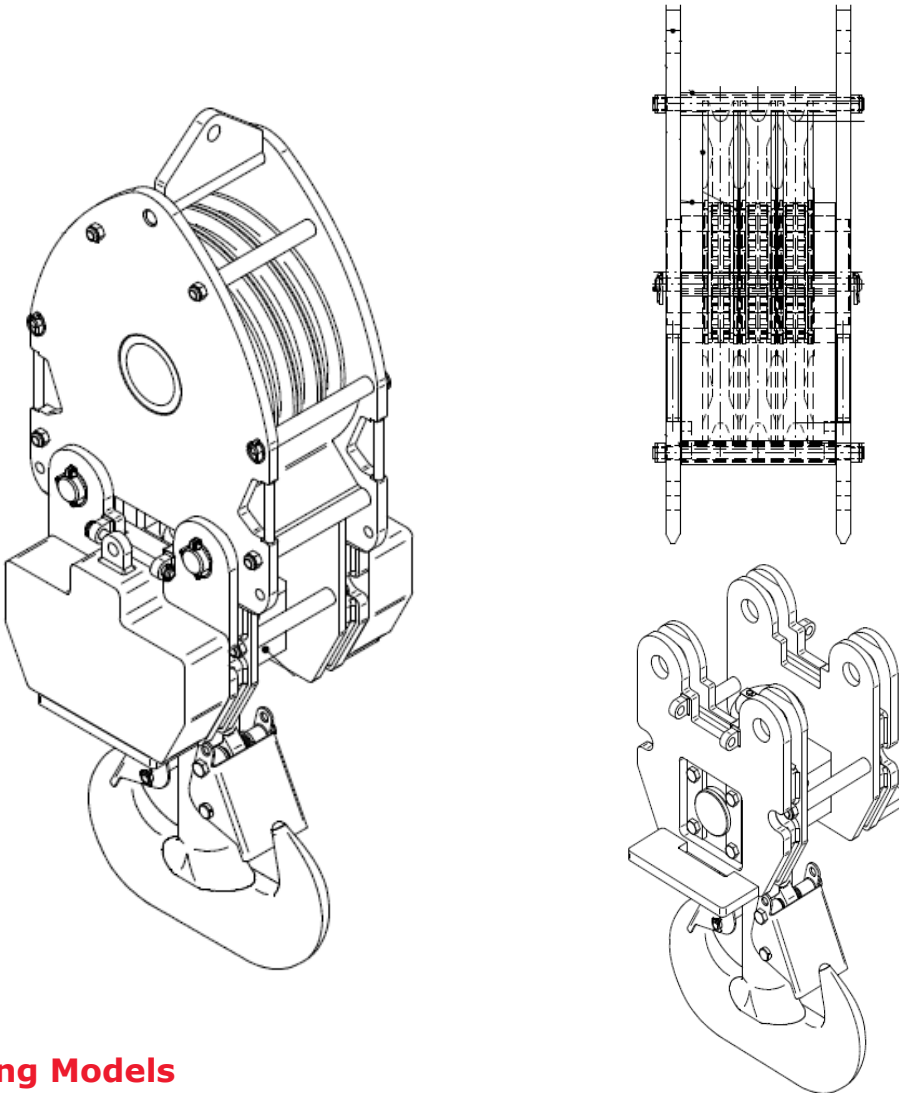
## Notes

For pricing and lead time, please contact your local dealer or the Lift Solutions Team with specific product requirements.

# Split hook block

## Description

The 80 metric tons split hook block offers the advantage to optimize the roadable weight of the crane.



## Existing Models

GMK5170/GMK5225/GMK5180/GMK5200/GMK5220/GMK5275/  
GMK5250L/GMK6300L

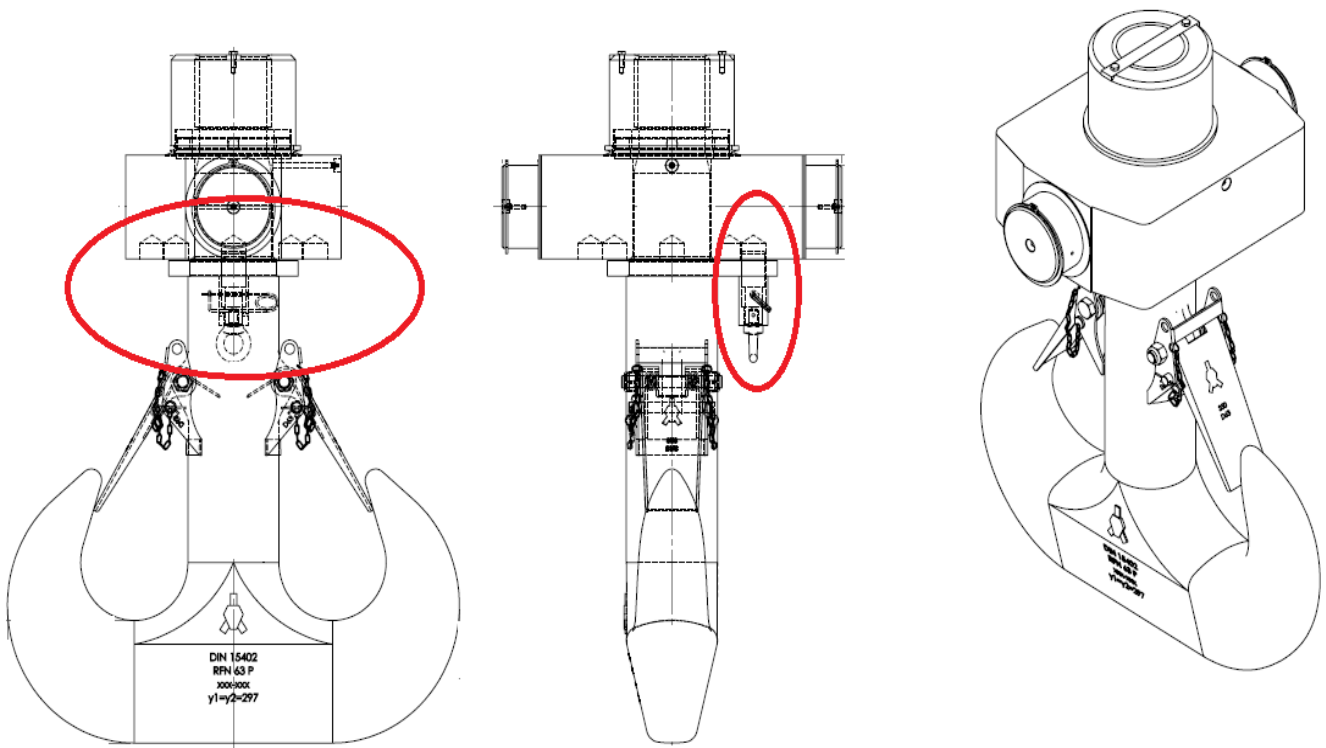
## Notes

For pricing and lead time, please contact your local dealer or the Lift Solutions Team with specific product requirements.

# Manual position lock for hook block

## Description

Double hook with manual position lock (8 positions) of the hook for a 160 metric tons seven sheave hook block from ropeblock.



## Existing Models

GMK5170/GMK5225/GMK5180/GMK5200/GMK5220/GMK5275/  
GMK5250L/GMK6300L

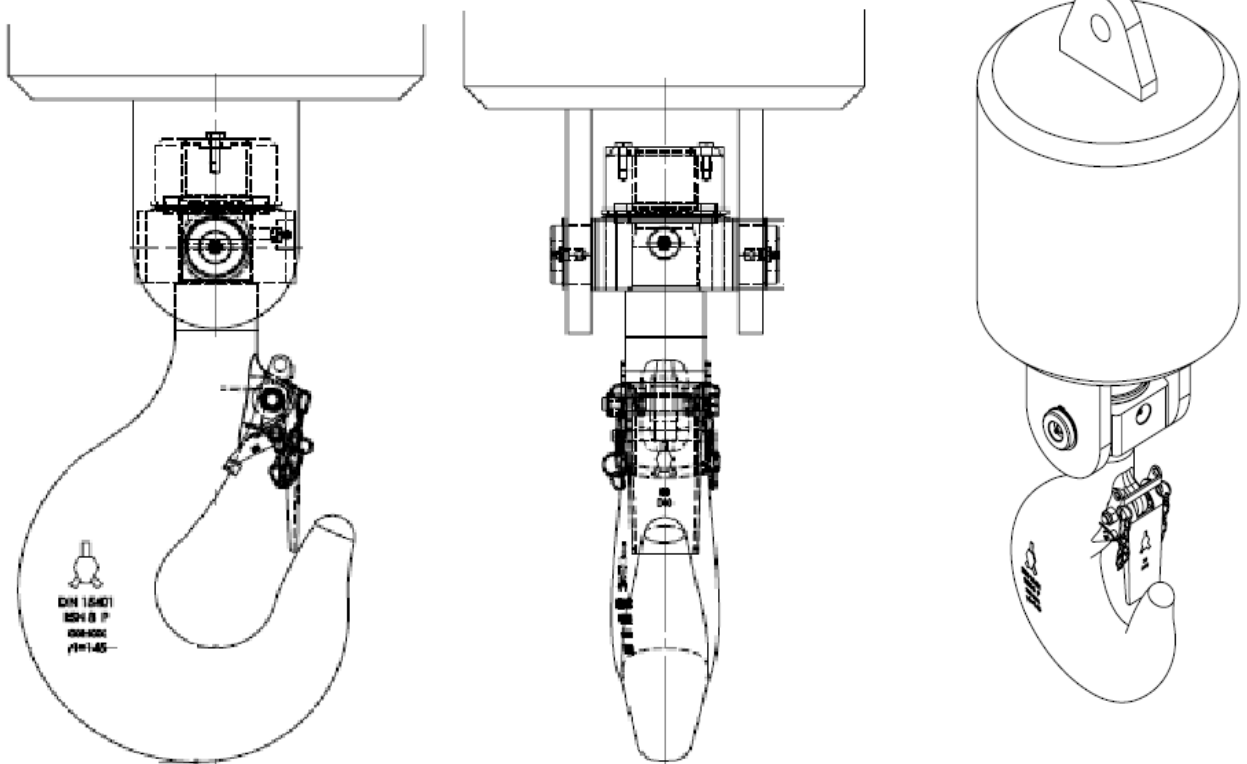
## Notes

For pricing and lead time, please contact your local dealer or the Lift Solutions Team with specific product requirements.

# Inspectable hook 12 metric tons

## Description

The bearing in this headache ball is accessible for visual inspection purposes.



## Existing Models

GMK5170/GMK5225/GMK5180/GMK5200/GMK5220/GMK5275/  
GMK5250L/GMK6300L

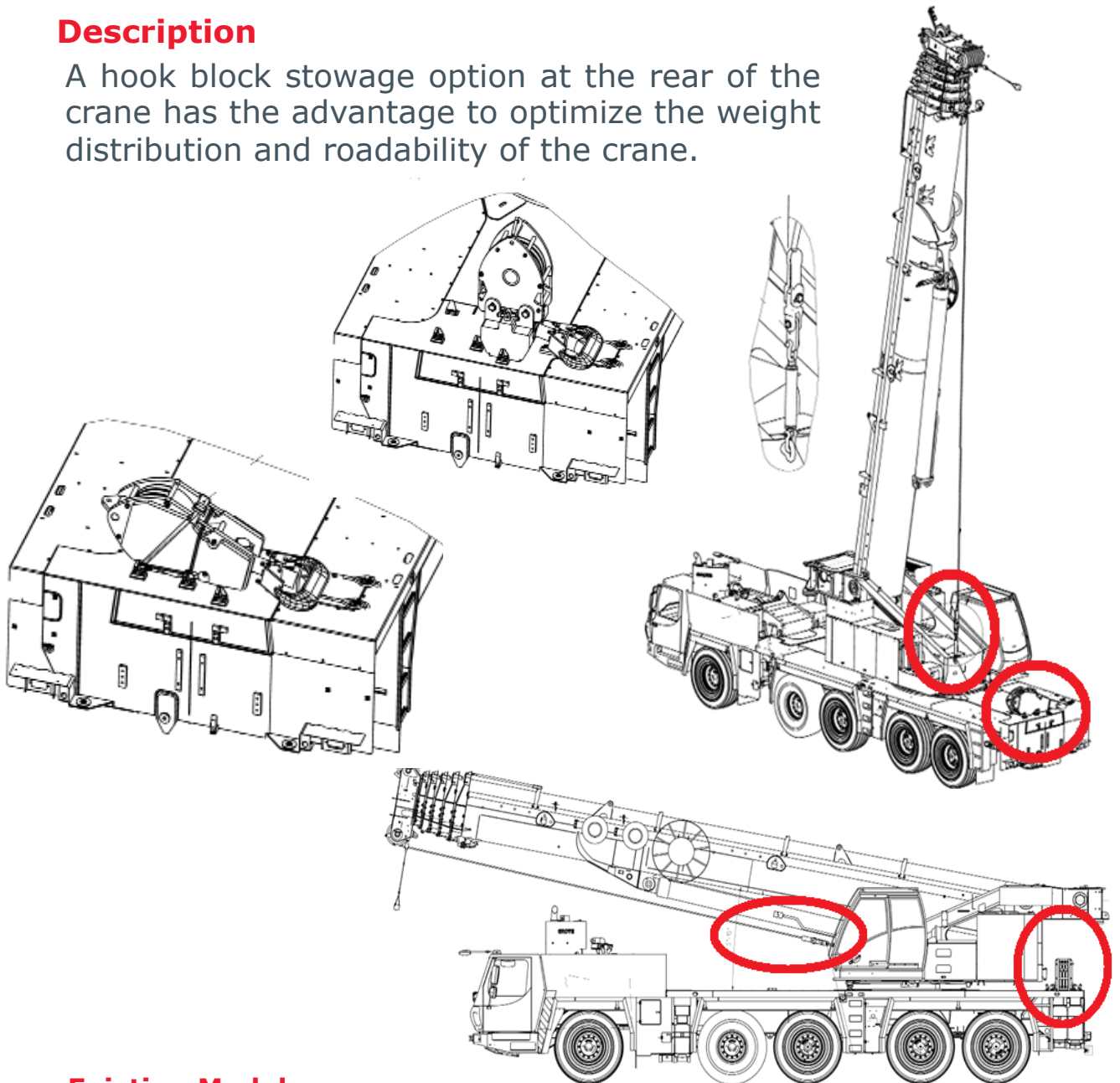
## Notes

For pricing and lead time, please contact your local dealer or the Lift Solutions Team with specific product requirements.

# Hook block stowage at the rear of the crane

## Description

A hook block stowage option at the rear of the crane has the advantage to optimize the weight distribution and roadability of the crane.



## Existing Models

GMK5170/GMK5225/GMK5220/GMK5275

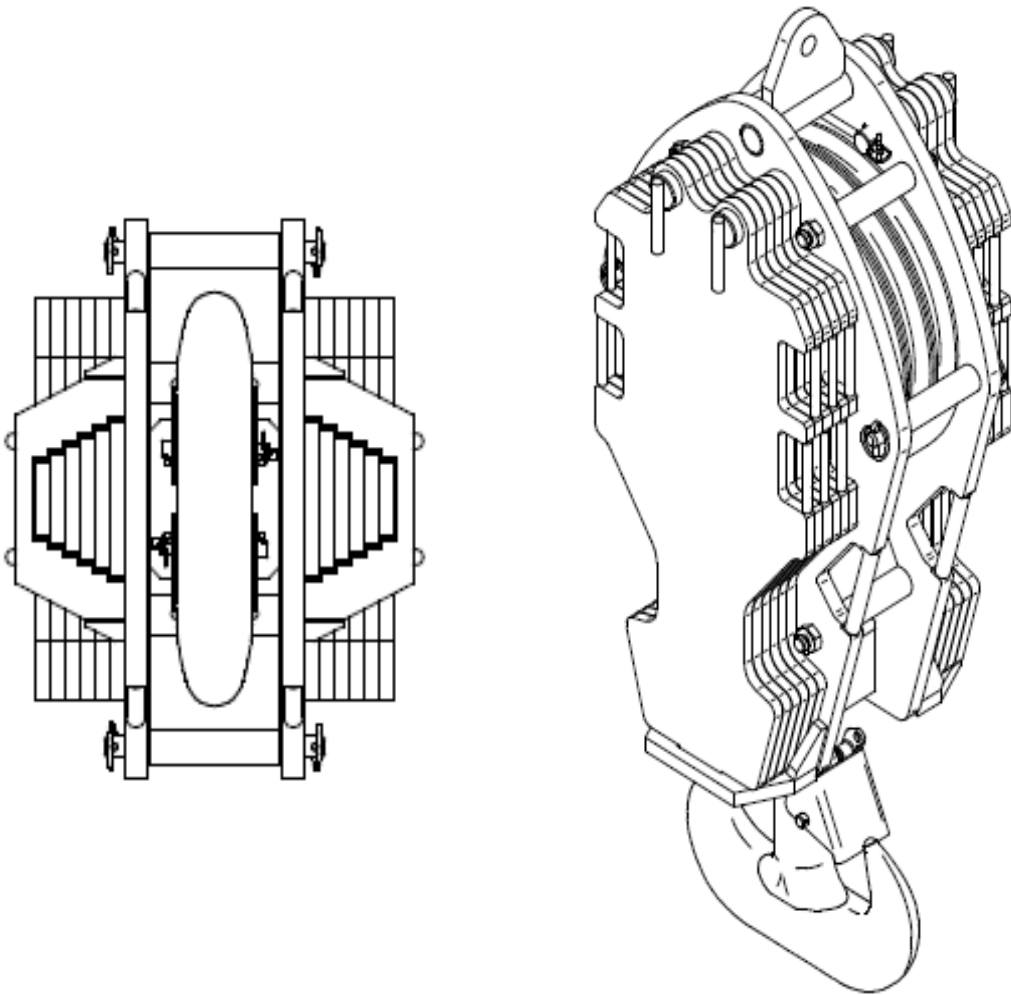
## Notes

For pricing and lead time, please contact your local dealer or the Lift Solutions Team with specific product requirements.

# Hook block with removable weight plates

## Description

Hook block with twelve removable weight plates.



## Existing Models

GMK4100/GMK4115/GMK4100L/GMK4115L/GMK5095/GMK5115

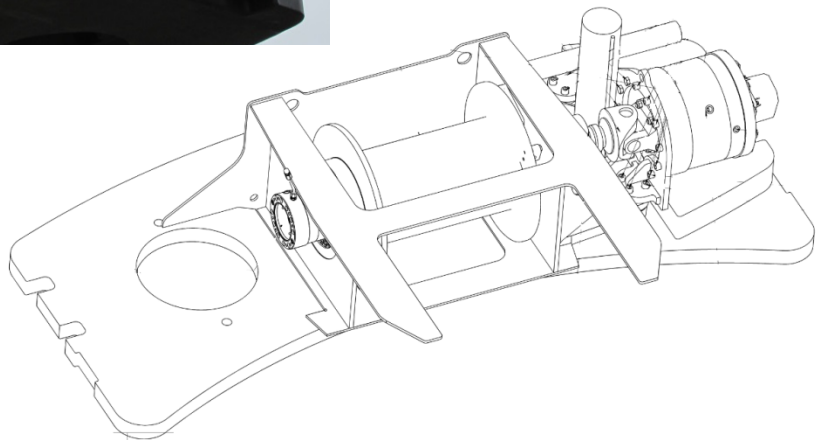
## Notes

For pricing and lead time, please contact your local dealer or the Lift Solutions Team with specific product requirements.

# Second brake on hoist

## Description

Second mechanical brake designed for sensitive lifting operations. The second brake works with an stand alone control unit and is optional to activate.



## Existing Models

GMK4080-1/GMK4100B

## Notes

For pricing and lead time, please contact your local dealer or the Lift Solutions Team with specific product requirements.



# Counterweight detection

## Description

The counterweight slices are detected by sensors and provide values to the crane operating system. The LMI System only allows rigging codes once the counterweight is detected.



## Existing Models

GMK6300L

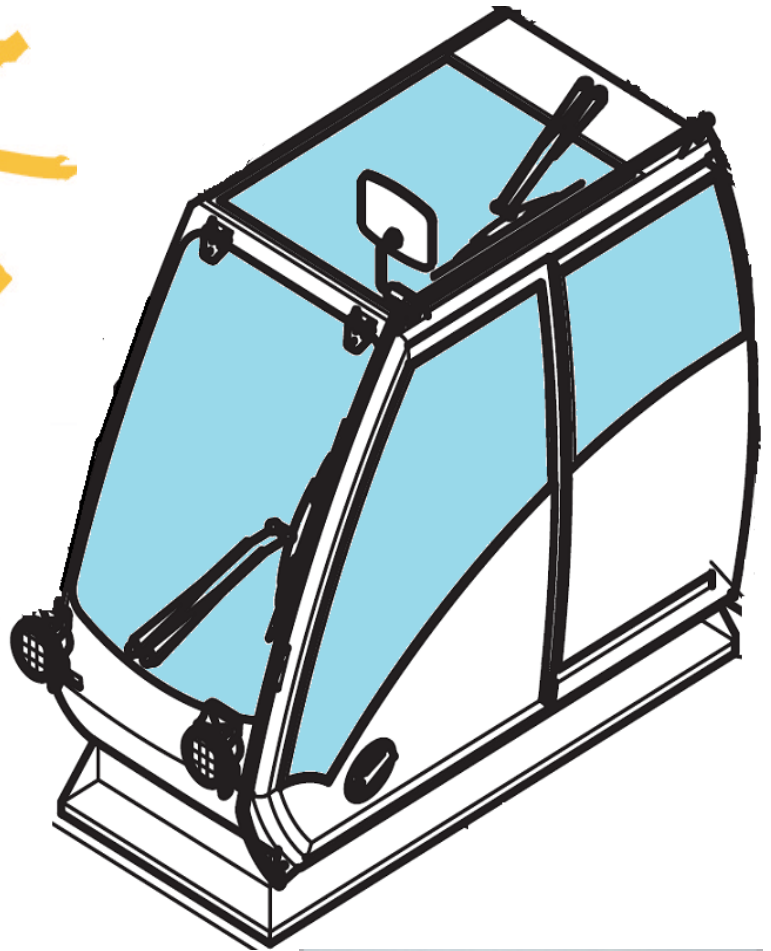
## Notes

For pricing and lead time, please contact your local dealer or the Lift Solutions Team with specific product requirements.

# Screen sun protection film

## Description

Sun protection film for all SuperCab windows to reduce heat and solar radiation. Provides additional shatter protection.



## Existing Models

All GMKs



## Notes

For pricing and lead time, please contact your local dealer or the Lift Solutions Team with specific product requirements.

# Bluetooth radio superstructure

## Description

Radio with CD player and Bluetooth connectivity.



## Existing Models

All GMKs

## Notes

For pricing and lead time, please contact your local dealer or the Lift Solutions Team with specific product requirements.

# Seat heating

## Description

Seat heating available for operator seat.



## Existing Models

All GMKs

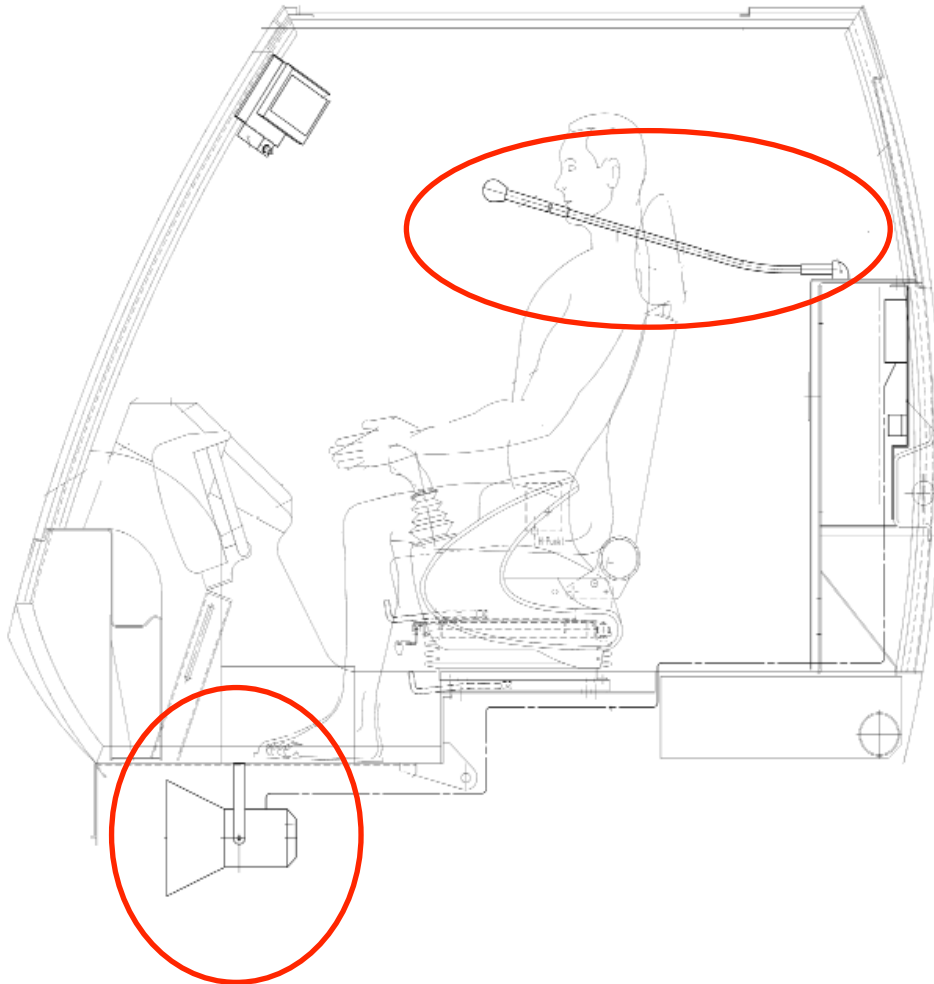
## Notes

For pricing and lead time, please contact your local dealer or the Lift Solutions Team with specific product requirements.

# Megaphone

## Description

Megaphone installation on superstructure cab for outside communication.



## Existing Models

GMK5130-2/GMK5165-2

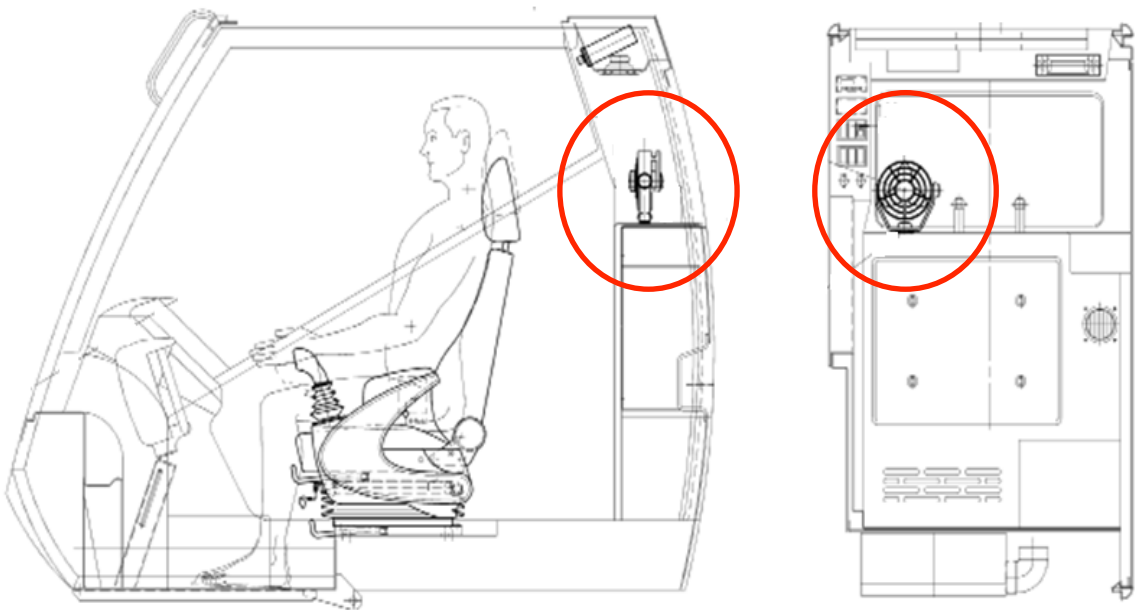
## Notes

For pricing and lead time, please contact your local dealer or the Lift Solutions Team with specific product requirements.

# Additional fan

## Description

Additional fan in the cab.



## Existing Models

GMK6400

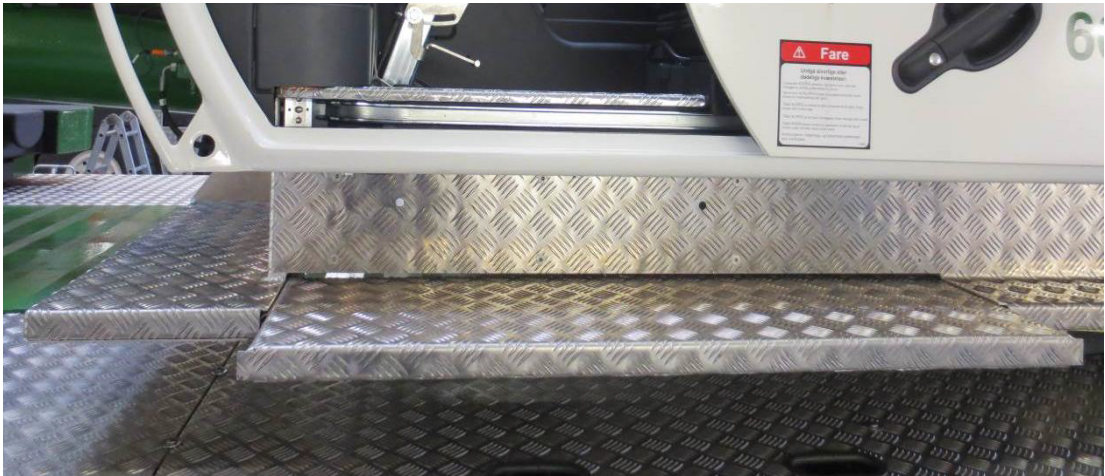
## Notes

For pricing and lead time, please contact your local dealer or the Lift Solutions Team with specific product requirements.

# Extendible step tread

## Description

Electric extendible step tread.



## Existing Models

GMK6400

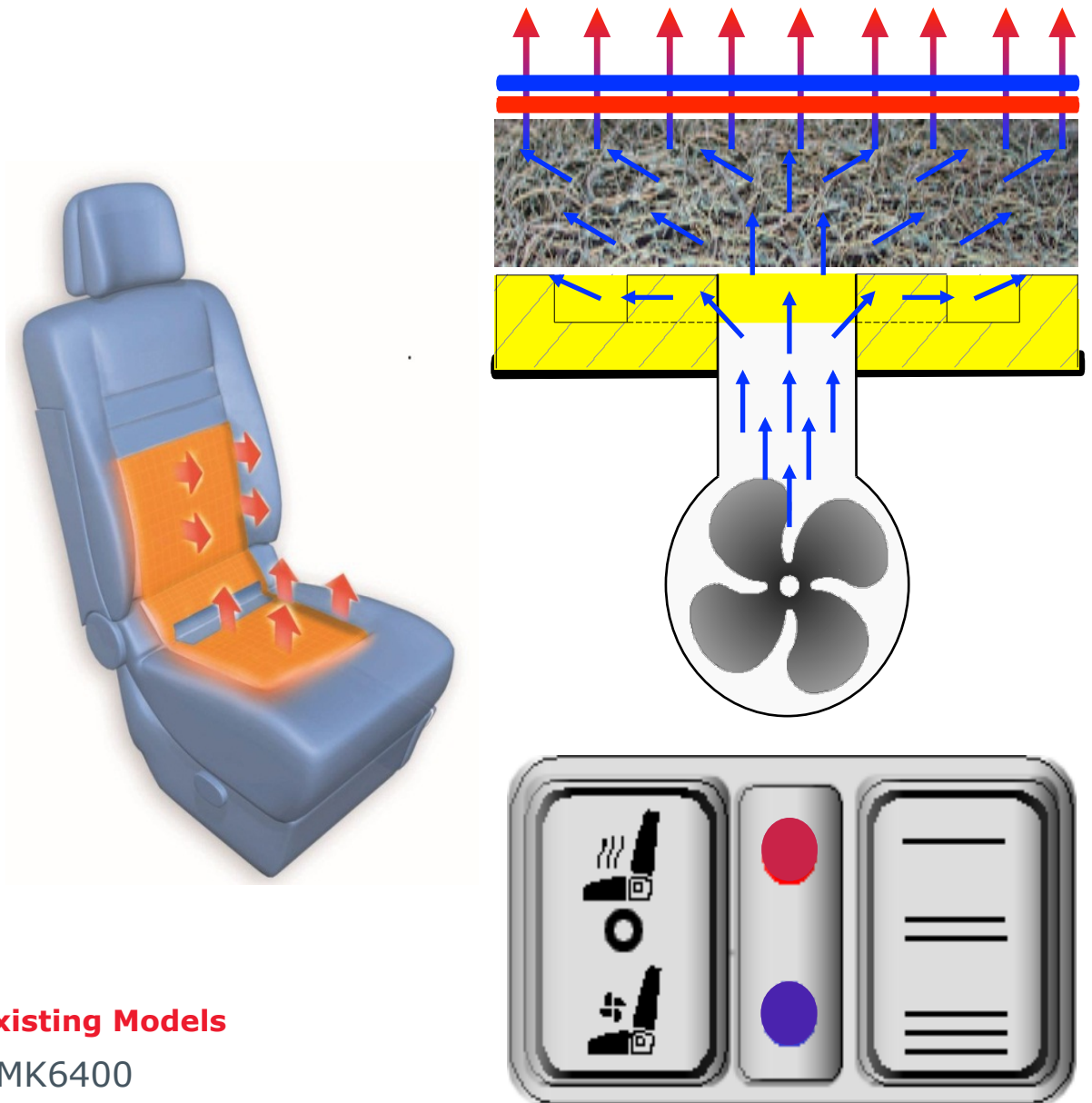
## Notes

For pricing and lead time, please contact your local dealer or the Lift Solutions Team with specific product requirements.

# Ventilated seat

## Description

Seat with ventilation and heating.



## Existing Models

GMK6400

## Notes

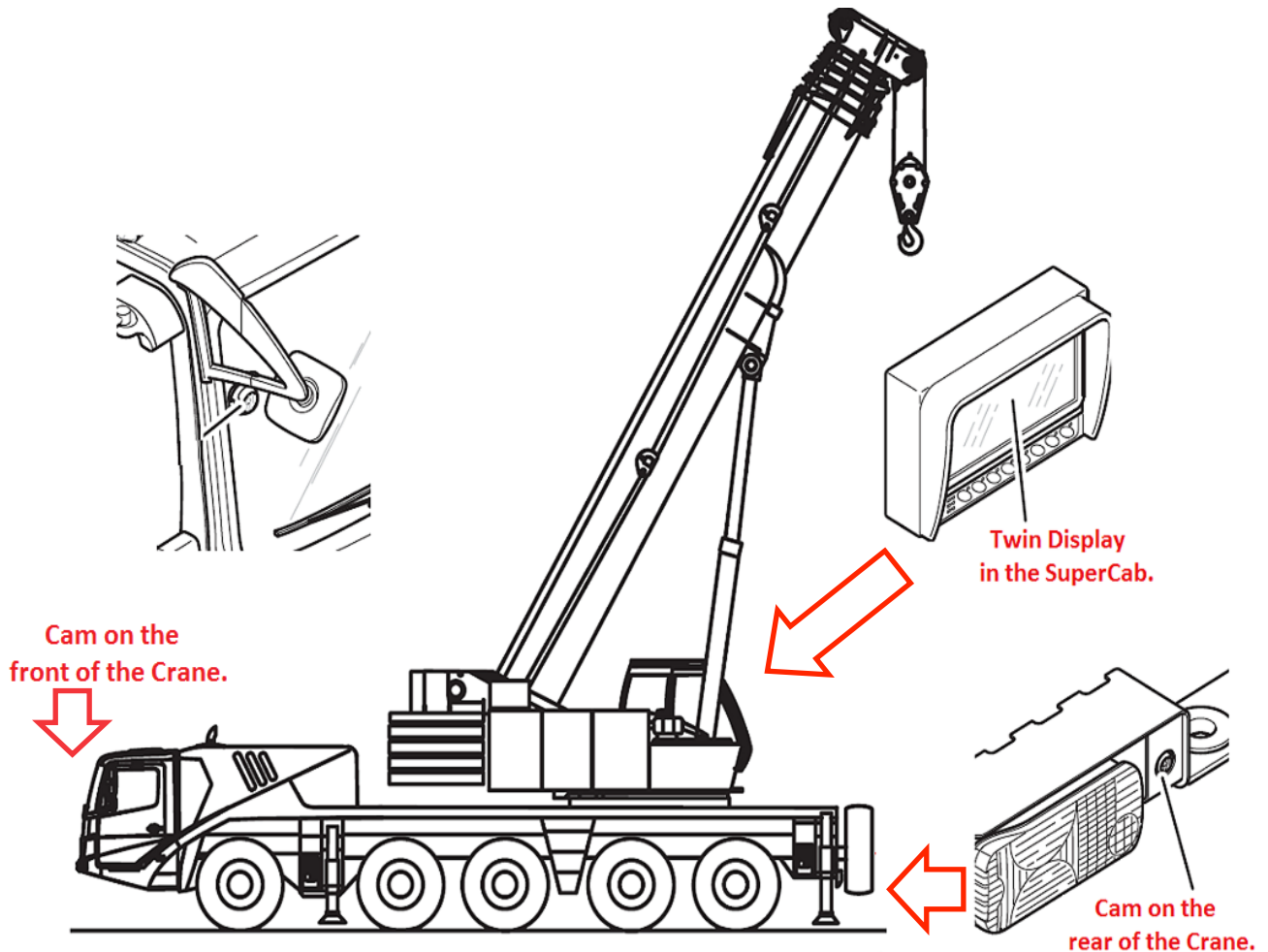
For pricing and lead time, please contact your local dealer or the Lift Solutions Team with specific product requirements.



# Camera system

## Description

Camera system allows an extended view for the crane operator for driving with a rigged truck crane.



## Existing Models

GMK5110-1/GMK5135

## Notes

For pricing and lead time, please contact your local dealer or the Lift Solutions Team with specific product requirements.

# Cold weather package -40°C

## Description

The -40° Celsius package includes special hydraulic cylinders, fluids, heaters, snow cover etc. to operate the crane in a low temperature environment.



## Existing Models

GMK5130-2/GMK5165-2

## Notes

For pricing and lead time, please contact your local dealer or the Lift Solutions Team with specific product requirements.

# Short boom version

## Description

This crane is designed with a short boom, capable to work inside of buildings or with special height limitations.

The boom head is adjustable and able to work with a fixed hook in a boom working range of 0° – 82°.



## Existing Models

GMK4100S

## Notes

For pricing and lead time, please contact your local dealer or the Lift Solutions Team with specific product requirements.

# Special application cranes

## Description

Various special applications to support service in Fire Departments, Military, etc.



## Existing Models

GMK4080-1/4100B

## Notes

For pricing and lead time, please contact your local dealer or the Lift Solutions Team with specific product requirements.

# Bio hydraulic oil

## Description

Bio-Hydraulic Oil is a fully synthetic, quickly biodegradable hydraulic- and circulation oil based on synthetic esters. Due to its' quick biodegradability it does not pollute the soil or the water.



Panolin  
HLP SYNTH 46



Shell  
Naturelle HF-E 46

Avia  
SYNTOFLUID N 46



## Existing Models

All GMKs

## Notes

For pricing and lead time, please contact your local dealer or the Lift Solutions Team with specific product requirements.